

# STAPLES & PFEIFFER

PRODUCT OF

THE HELLAN® STRAINER COMPANY

## MODEL 123 BRONZE 150 LB. FLANGED DUPLEX STRAINER WITH SWING YOKE COVER

### MATERIALS (COVER & BODY)

Bronze: ASTM B61,  
ASTM C-958

### FLANGES

ANSI  
DIN  
Navy (MIL-F-20042D)

### APPROVALS

ABS  
US Navy  
Lloyd's Register

### SCREEN MATERIALS

316 SS, Monel

### CONNECTION SIZES

3/4" – 8" (20mm – 200mm)

### SCREENS

20 – 100 mesh  
1/32" – 1/4" perforated

### MILITARY STANDARDS

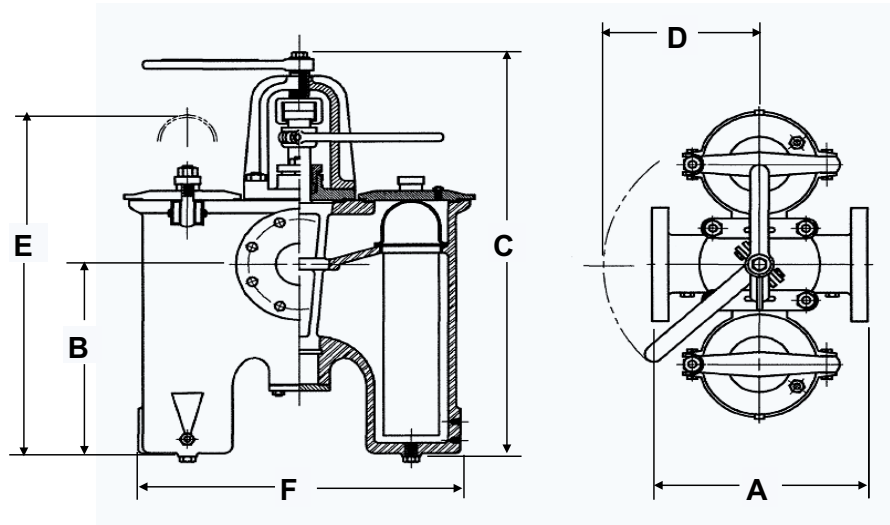
MIL-S-17849



Duplex strainers are used in lines that continuously run and do not need to be shut down. The duplex strainer uses a tapered plug design with twin baskets, and these strainers have a diverter handle to switch from one side to the other. The one basket not in use can be removed and cleaned without interrupting the pipeline flow. S & P duplex strainers use a thicker wall thickness, and offered in 150# and 250# class. Strainers have been shock tested to MIL-S-901D.

**MODEL 123 BRONZE 150 LB. FLANGED  
DUPLEX STRAINER WITH SWING YOKE COVER**

SIZES 1" – 8"  
DIMENSIONS AND WEIGHTS



SIZE	in	1	1-1/4	1-1/2	2	2-1/2	3	4	5	6	8	
	mm	25	30	40	50	65	80	100	125	150	200	
A	in	7-3/8	7-3/8	8-7/8	10-1/2	11-3/4	11-3/4	16-3/8	17-3/4	20	25-1/2	
	mm	187	187	225	267	298	298	416	451	508	648	
B	in	6-3/4	6-3/4	6-1/2	8-1/2	11-3/4	11-3/4	13-1/4	18	16	24-1/2	
	mm	171	171	165	216	298	298	337	457	406	622	
C	in	12-1/2	12-1/2	13-1/2	20-1/2	27-3/4	27-3/4	31-3/4	37	31	52	
	mm	318	318	343	521	705	705	806	940	787	1320	
D	in	6	6	7	8	13	13	16	17	17-1/2	19	
	mm	152	152	178	203	330	330	406	432	445	483	
E	SCREEN	in	13	13	16	17	28	28	40	48	60	70
	REMOVAL	mm	330	330	406	432	711	711	1020	1220	1524	1778
F	in	10	10	12-1/4	13-1/2	20-5/8	20-5/8	20	26-1/2	32-1/2	43-1/2	
	mm	254	254	311	343	524	524	508	673	825	1105	
WEIGHTS												
	lbs	60	62	75	90	190	198	330	515	710	1575	
	kgs	27	28	34	41	86	90	150	234	322	714	

Approximate Dimensions and Weights. Apply for Certified Drawings.

*Manufactured with quality in the USA*