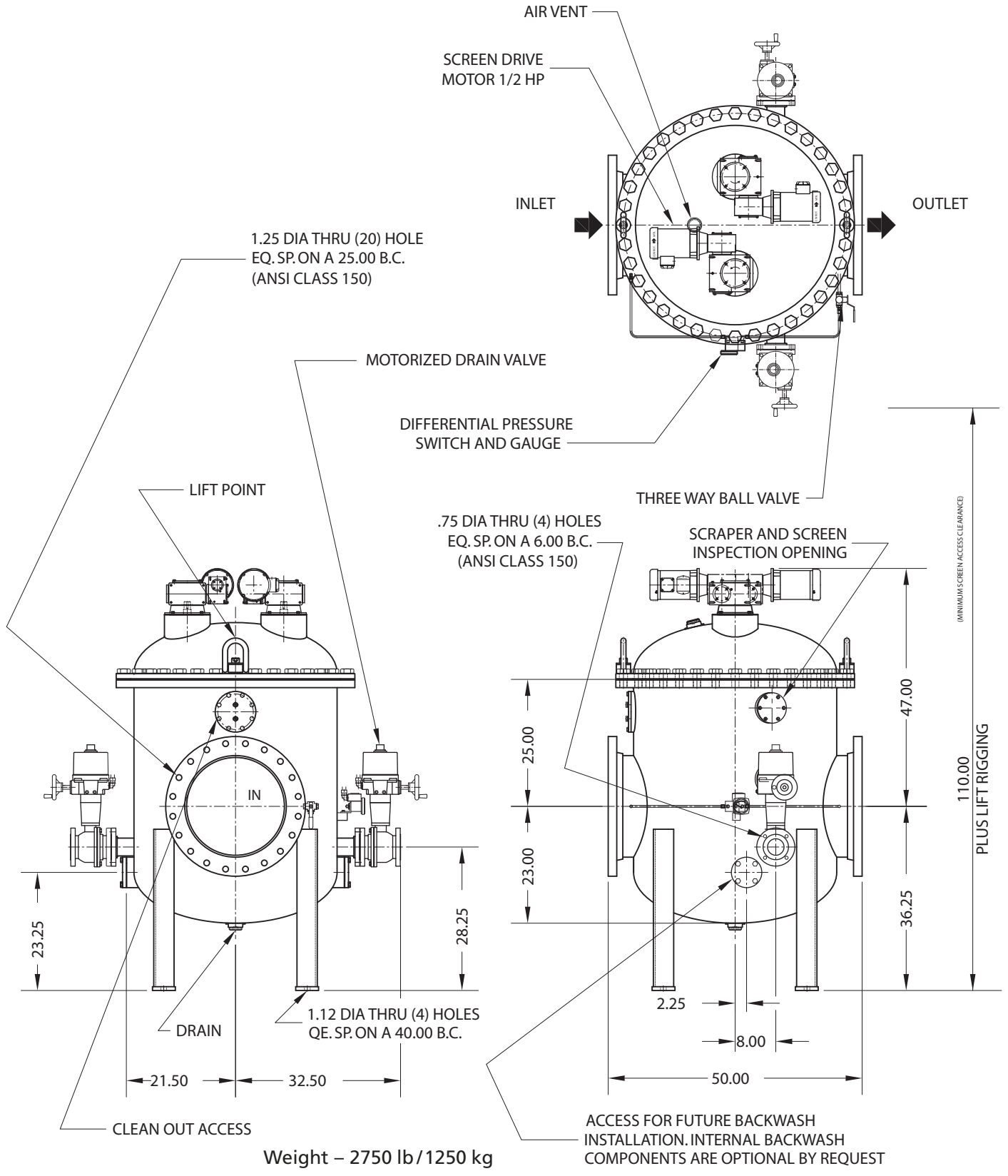


# 20" AUTOMATIC STRAINER

In-Line Flow Type WDA

50



THESE DIMENSIONS ARE FOR REFERENCE ONLY. FOR INSTALLATION PURPOSES, REQUEST CERTIFIED DRAWINGS.