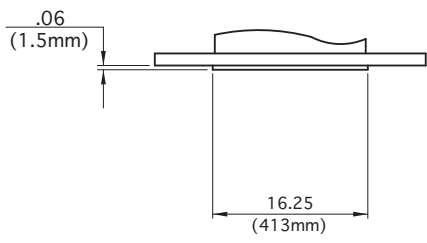
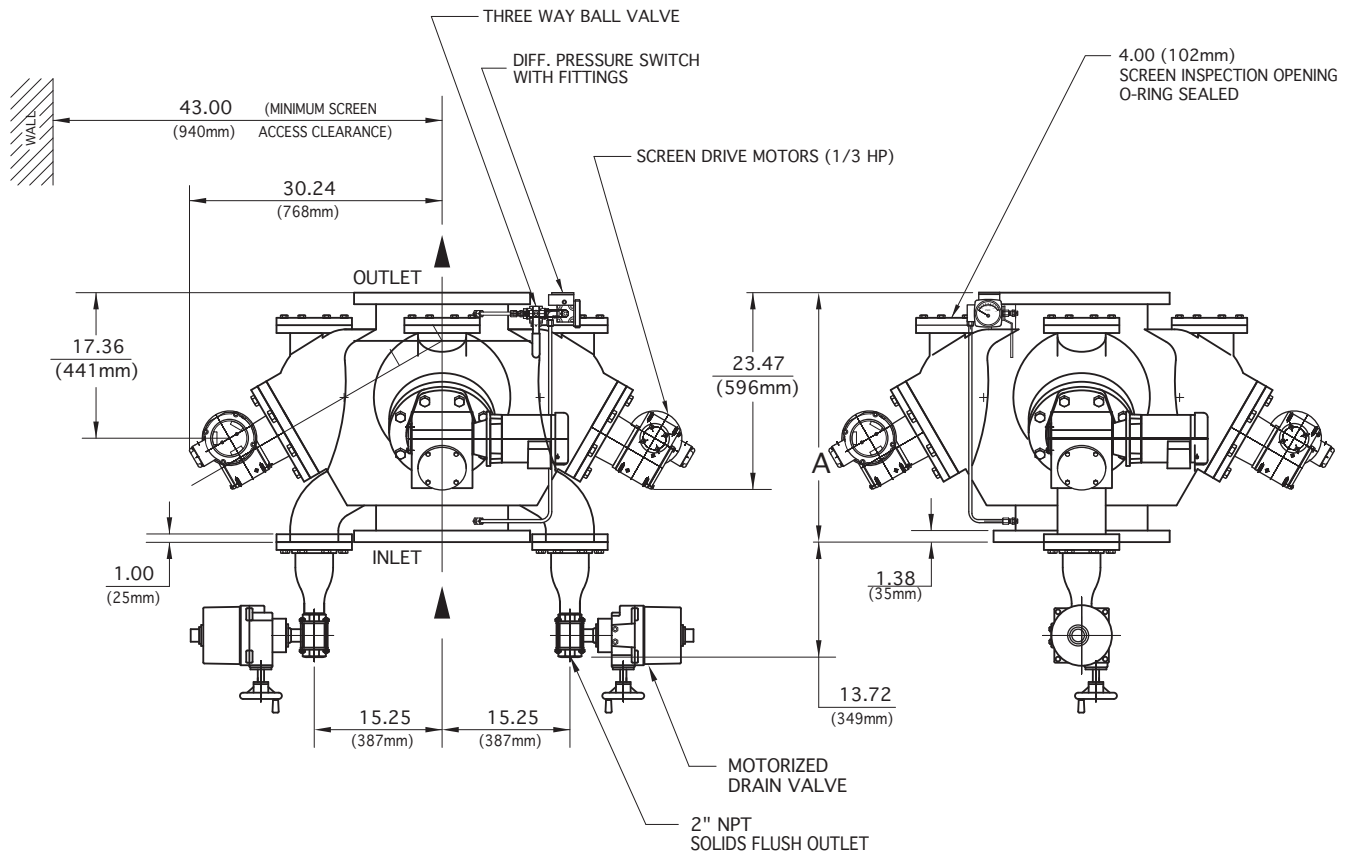
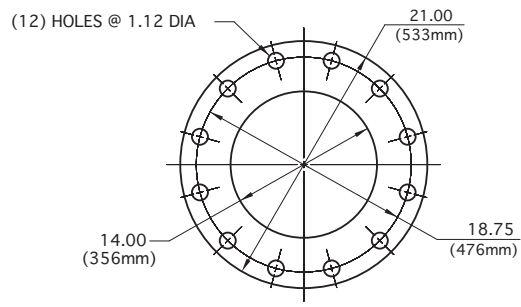


14" AUTOMATIC STRAINER

In-Line Flow Type QA



FOR ANSI CLASS 150



TOP & BOTTOM FLANGES

FLANGE SIZE		A	APPROX. WEIGHT
ANSI class 125 CAST IRON	INCH	29.75	4000 lb
	MM	756	1818 kg
ANSI class 150 CAST STEEL & STAINLESS STEEL	INCH	29.44	4200 lb
	MM	748	1909 kg

THESE DIMENSIONS ARE FOR REFERENCE ONLY. FOR INSTALLATION PURPOSES, REQUEST CERTIFIED DRAWINGS.