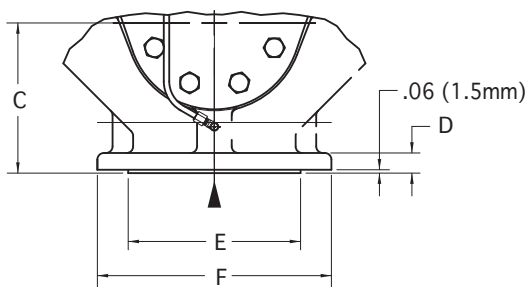
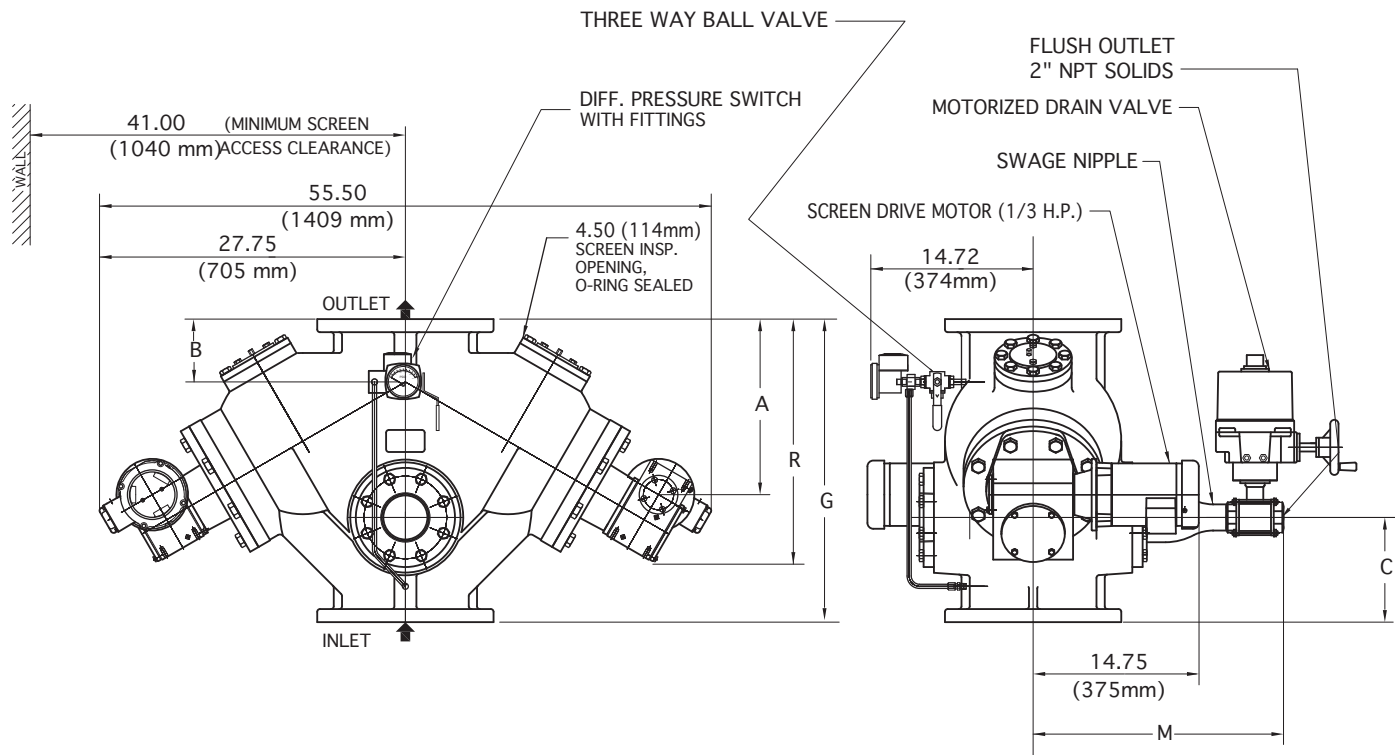
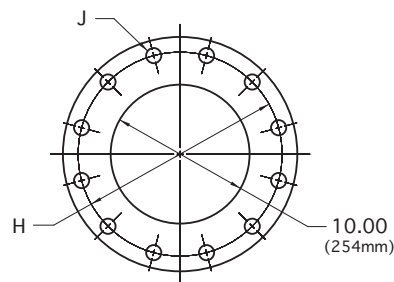


10" AUTOMATIC STRAINER

In-Line Flow Type DA



FOR ANSI FLANGE CLASS 250, 150, 300 & DIN



TOP & BOTTOM FLANGES

FLANGE SIZE		A	B	C	D	E	F	G	H	J (HOLES) No.	(HOLES) DIA.	M	R	APPROX. WEIGHT
ANSI class 125 CAST IRON	INCH	10.97	5.69	9.50	1.19	NA	16.00	27.50	14.25	12	1.00	22.55	24.15	950 lb
	MM	279	144	241	30	NA	406	699	362	12	25	573	613	432 kg
ANSI class 250 CAST IRON	INCH	11.66	6.38	10.19	1.88	14.06	17.50	28.88	15.25	16	1.12	23.00	24.84	1025 lb
	MM	296	162	259	48	357	445	733	387	16	29	584	630	466 kg
ANSI class 150 CAST STEEL & STAINLESS STEEL	INCH	10.97	5.69	9.50	1.19	12.75	16.00	27.50	14.25	12	1.00	22.55	24.15	1000 lb
	MM	279	144	241	30	324	406	699	362	12	25	573	613	454 kg
ANSI class 300 CAST STEEL & STAINLESS STEEL	INCH	11.66	6.38	10.19	1.88	14.06	17.50	28.88	15.25	16	1.12	23.12	24.84	1075 lb
	MM	296	162	259	48	357	445	733	387	16	29	587	630	488 kg
250 DN 10 DIN 2501	INCH	10.97	5.69	9.50	1.19	12.75	16.00	27.50	13.75	12	.87	22.55	24.15	1000 lb
	MM	279	144	241	30	324	406	699	350	12	22	573	613	454 kg
250 DN 16 DIN 2501	INCH	11.66	6.38	10.19	1.88	14.06	17.50	28.88	13.98	12	1.02	23.12	24.84	1075 lb
	MM	296	162	259	48	357	445	733	355	12	26	587	630	488 kg

THESE DIMENSIONS ARE FOR REFERENCE ONLY. FOR INSTALLATION PURPOSES, REQUEST CERTIFIED DRAWINGS.