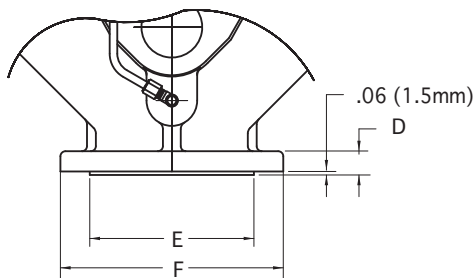
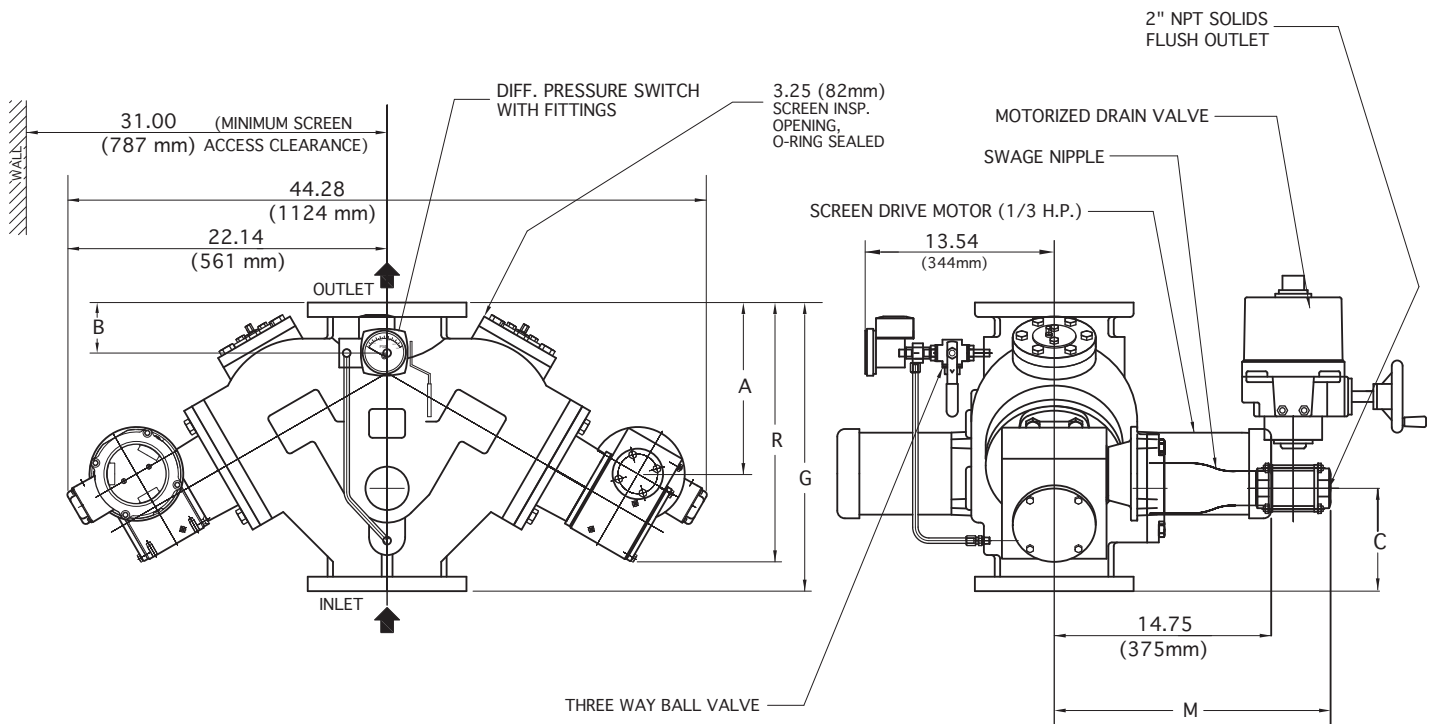
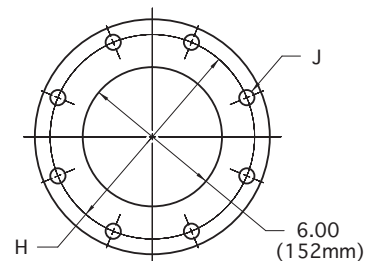


6" AUTOMATIC STRAINER

In-Line Flow Type DA



FOR ANSI FLANGE CLASS 250, 150, 300 & DIN



TOP & BOTTOM FLANGES

FLANGE SIZE		A	B	C	D	E	F	G	H	J (HOLES) No. DIA.	M	R	N _{DRAIN} FLANGE SIZE	APPROX. WEIGHT
ANSI class 125 CAST IRON	INCH	8.79	3.50	7.12	1.00	NA	11.00	20.00	9.50	8 .88	18.95	17.68	3" NPT	400 lb
	MM	223	89	181	25	NA	279	508	241	8 22	481	449		182 kg
ANSI class 250 CAST IRON	INCH	9.23	5.31	7.56	1.44	9.69	12.50	20.88	10.62	12 .88	19.06	18.12	2 1/2"	425 lb
	MM	234	135	192	37	246	318	530	270	12 22	484	460		193 kg
ANSI class 150 CAST STEEL & STAINLESS STEEL	INCH	8.79	4.88	7.12	1.00	8.50	11.00	20.00	9.50	8 .88	19.62	17.68	3"	430 lb
	MM	223	124	181	25	216	279	508	241	8 22	498	449		195 kg
ANSI class 300 CAST STEEL & STAINLESS STEEL	INCH	9.23	5.31	7.56	1.44	9.69	12.50	20.88	10.62	12 .88	19.00	18.12	2 1/2"	455 lb
	MM	234	135	192	37	246	318	530	270	12 22	483	460		207 kg
150 DN 10 DIN 2501	INCH	8.79	4.88	7.12	1.00	8.50	11.00	20.00	9.45	8 .71	19.62	17.68	3"	430 lb
	MM	223	124	181	25	216	279	508	240	8 18	498	449		195 kg
150 DN 16 DIN 2501	INCH	9.23	5.31	7.56	1.44	9.69	12.50	20.88	9.45	8 .81	19.00	18.12	2 1/2"	455 lb
	MM	234	135	192	37	246	318	530	240	8 22	483	460		207 kg

THESE DIMENSIONS ARE FOR REFERENCE ONLY. FOR INSTALLATION PURPOSES, REQUEST CERTIFIED DRAWINGS.