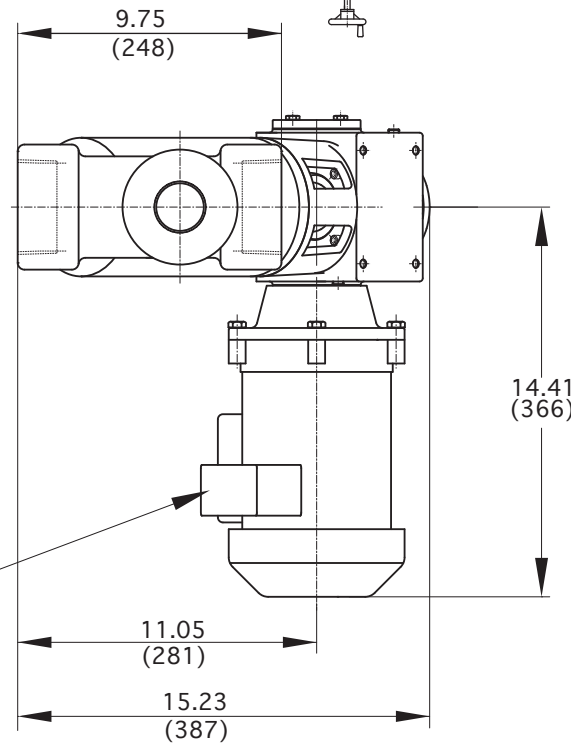
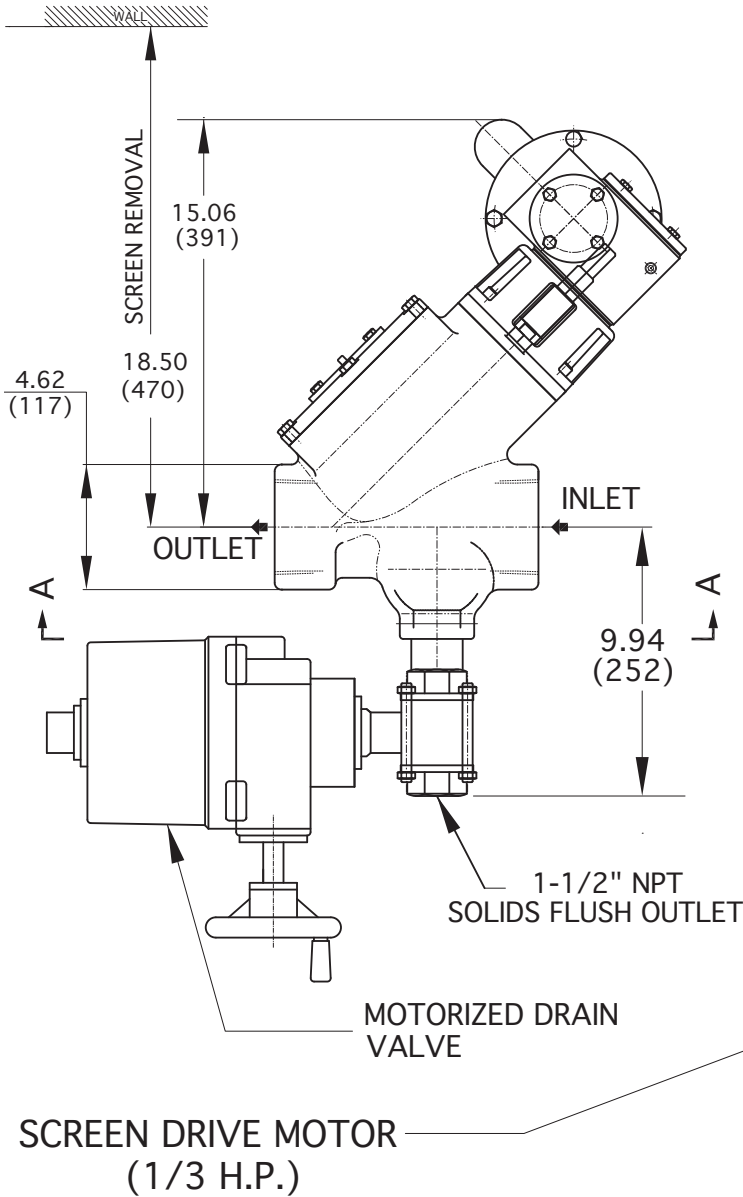
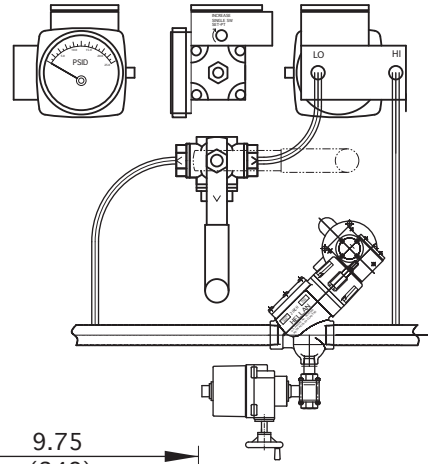


# 2-1/2" & 3" AUTOMATIC STRAINER

## In-Line Flow Type TSA

PRESSURE SWITCH &  
THREE WAY BALL VALVE  
SUPPLIED BY HELLAN  
INSTALLED BY CUST.  
AS SHOWN



VIEW A-A

STRAINER SIZE	THREAD SIZE	APPROX. WEIGHT
2-1/2"	2-1/2" NPT CAST IRON	84 lb 38 kg
	2-1/2" NPT CAST STEEL and STAINLESS STEEL	89 lb 40 kg
3"	3" NPT CAST IRON	84 lb 38 kg
	3" NPT CAST STEEL and STAINLESS STEEL	89 lb 40 kg

ORIENTATION - DRAIN MUST BE DOWN.  
THESE DIMENSIONS ARE FOR REFERENCE ONLY. FOR INSTALLATION PURPOSES, REQUEST CERTIFIED DRAWINGS.