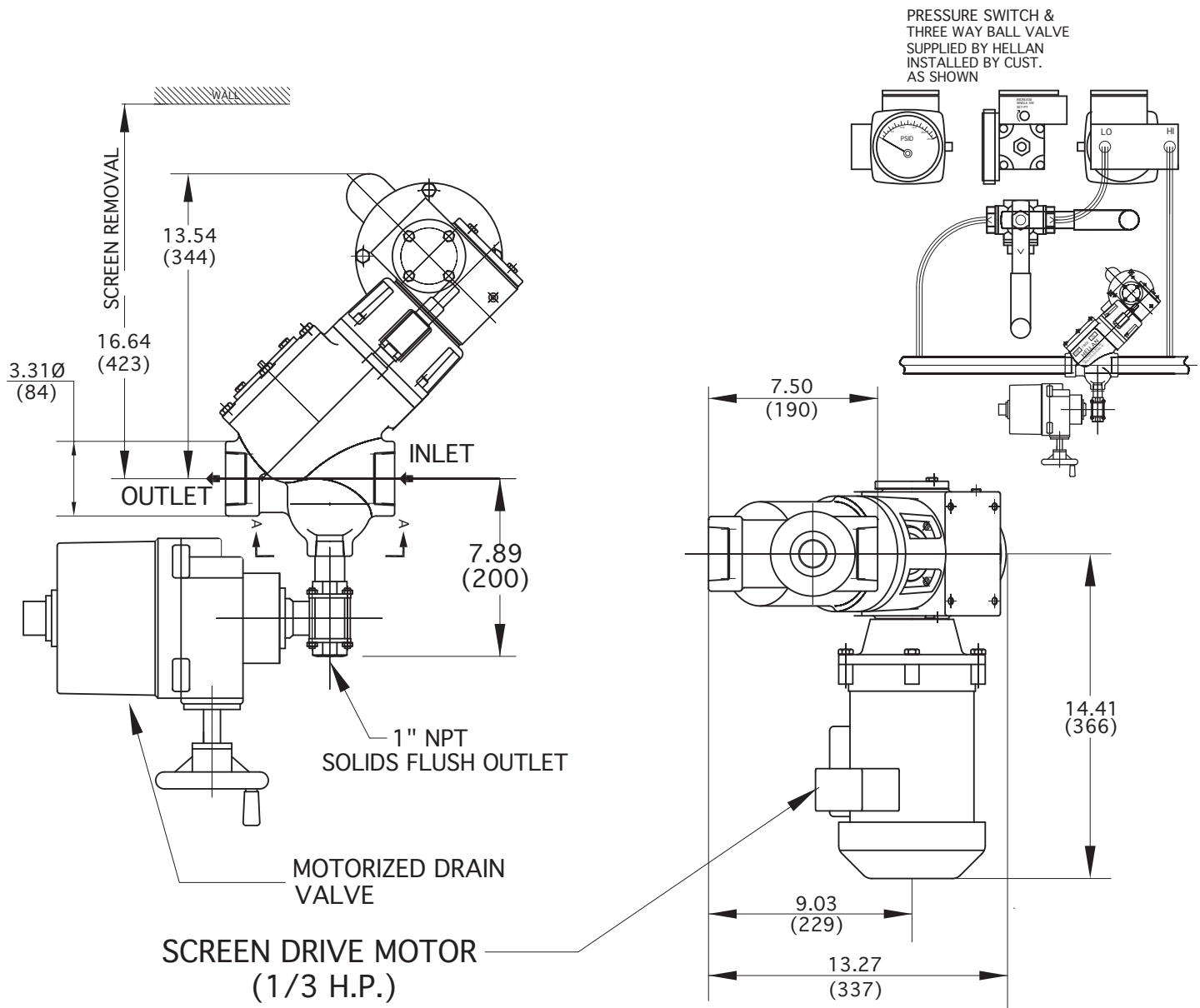


1-1/2" & 2" AUTOMATIC STRAINER

In-Line Flow Type TSA



VIEW A-A

STRAINER SIZE	THREAD SIZE	APPROX. WEIGHT
1-1/2"	1-1/2" NPT CAST IRON	46 lb 21 kg
	1-1/2" NPT CAST STEEL and STAINLESS STEEL	49 lb 22 kg
2"	2" NPT CAST IRON	46 lb 21 kg
	2" NPT CAST STEEL and STAINLESS STEEL	49 lb 22 kg

ORIENTATION - DRAIN MUST BE DOWN.
THESE DIMENSIONS ARE FOR REFERENCE ONLY. FOR INSTALLATION PURPOSES, REQUEST CERTIFIED DRAWINGS.

38