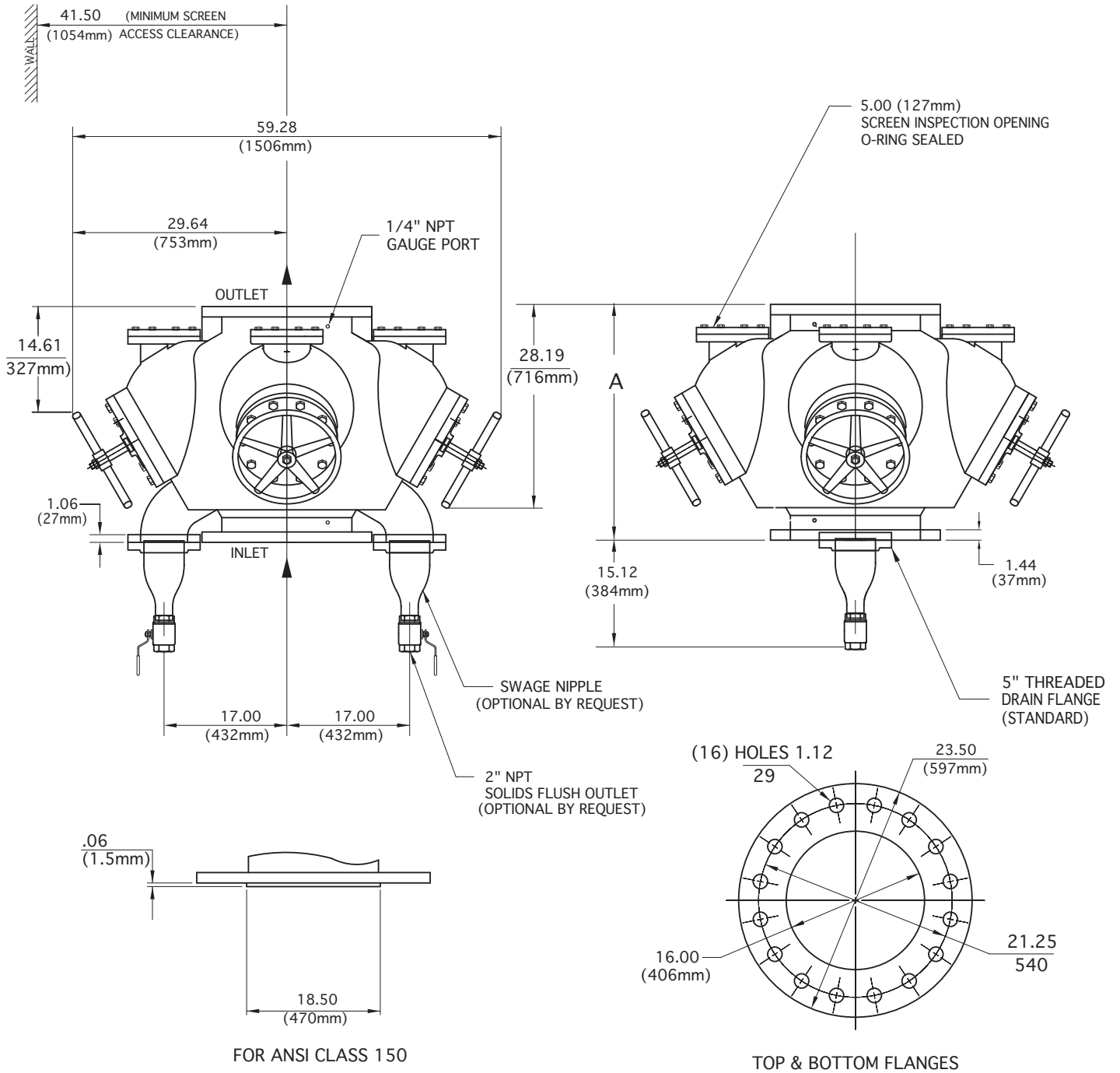


16" MANUAL STRAINER

In-Line Flow Type QH



36

FLANGE SIZE		A	APPROX. WEIGHT
ANSI class 125 CAST IRON	INCH	32.62	2980 lb
	MM	829	1350 kg
ANSI class 150 CAST STEEL & STAINLESS STEEL	INCH	32.28	3210 lb
	MM	820	1460 kg

THESE DIMENSIONS ARE FOR REFERENCE ONLY. FOR INSTALLATION PURPOSES, REQUEST CERTIFIED DRAWINGS.