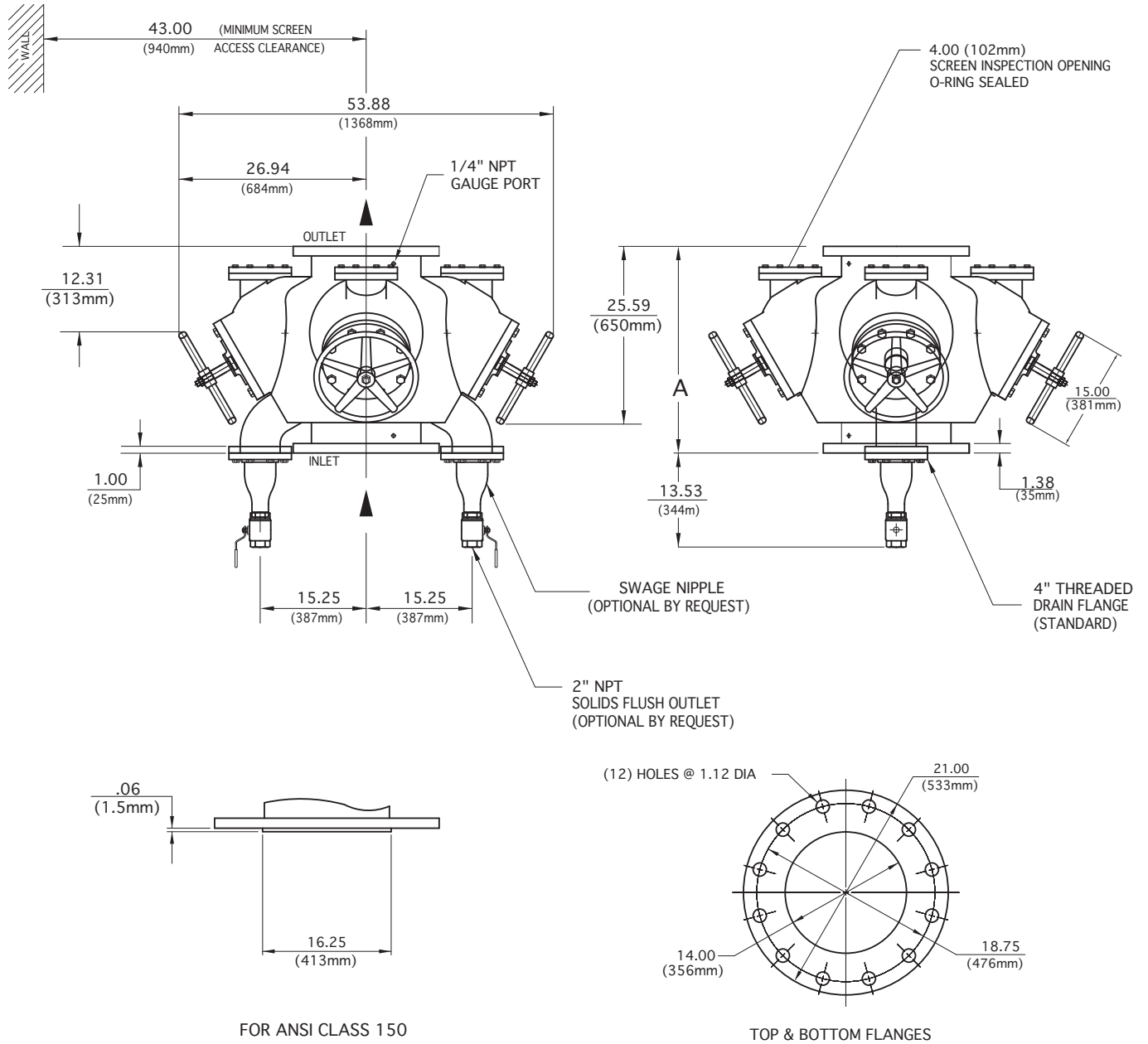


14" MANUAL STRAINER

In-Line Flow Type QH



FLANGE SIZE		A	APPROX. WEIGHT
ANSI class 125 CAST IRON	INCH	29.75	2275 lb
	MM	756	1034 kg
ANSI class 150 CAST STEEL & STAINLESS STEEL	INCH	29.44	2475 lb
	MM	748	1125 kg

THESE DIMENSIONS ARE FOR REFERENCE ONLY. FOR INSTALLATION PURPOSES, REQUEST CERTIFIED DRAWINGS.