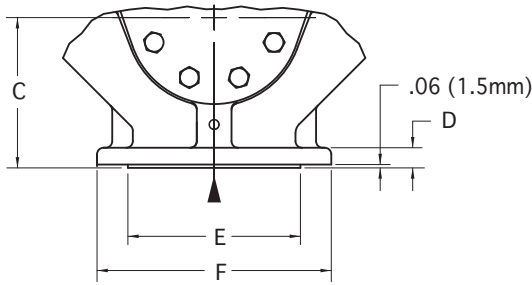
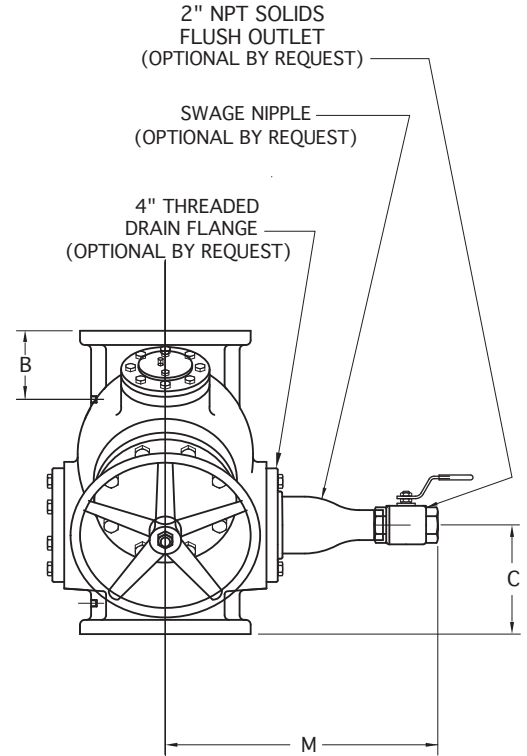
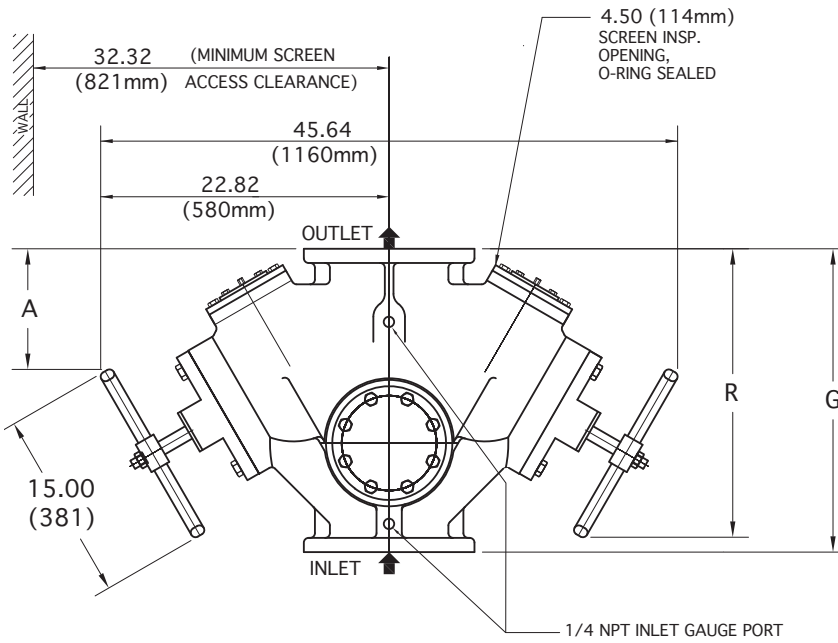
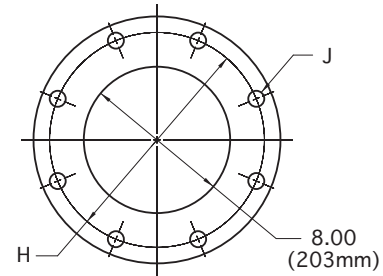


8" MANUAL STRAINER

In-Line Flow Type DH



FOR ANSI FLANGE CLASS 250, 150, 300 & DIN



TOP & BOTTOM FLANGES

FLANGE SIZE		A	B	C	D	E	F	G	H	J (HOLES) No. DIA.	M	R	APPROX. WEIGHT
ANSI class 125 CAST IRON	INCH	9.54	5.38	8.62	1.12	NA	13.50	24.00	11.75	8 .88	21.56	22.82	700 lb
	MM	242	137	219	29	NA	343	610	298	8 22	548	580	318 kg
ANSI class 250 CAST IRON	INCH	10.04	5.88	9.12	1.62	11.94	15.00	25.00	13.00	12 1.00	22.00	23.32	750 lb
	MM	255	149	232	41	303	381	635	330	12 25	558	592	341 kg
ANSI class 150 CAST STEEL & STAINLESS STEEL	INCH	9.54	5.38	8.62	1.12	10.62	13.50	24.00	11.75	8 .88	21.56	22.82	750 lb
	MM	242	137	219	29	270	343	610	298	8 22	548	580	341 kg
ANSI class 300 CAST STEEL & STAINLESS STEEL	INCH	10.04	5.88	9.12	1.62	11.94	15.00	25.00	13.00	12 1.00	22.12	23.32	800 lb
	MM	255	149	232	41	303	381	635	330	12 25	562	592	364 kg
200 DN 10 DIN 2501	INCH	9.54	5.38	8.62	1.12	10.62	13.50	24.00	11.61	8 .87	21.56	22.82	750 lb
	MM	242	137	219	29	270	343	610	295	8 22	548	580	341 kg
200 DN 16 DIN 2501	INCH	10.04	5.88	9.12	1.62	11.94	15.00	25.00	11.61	12 .87	22.12	23.32	800 lb
	MM	255	149	232	41	303	381	635	295	12 22	562	592	364 kg

THESE DIMENSIONS ARE FOR REFERENCE ONLY. FOR INSTALLATION PURPOSES, REQUEST CERTIFIED DRAWINGS.