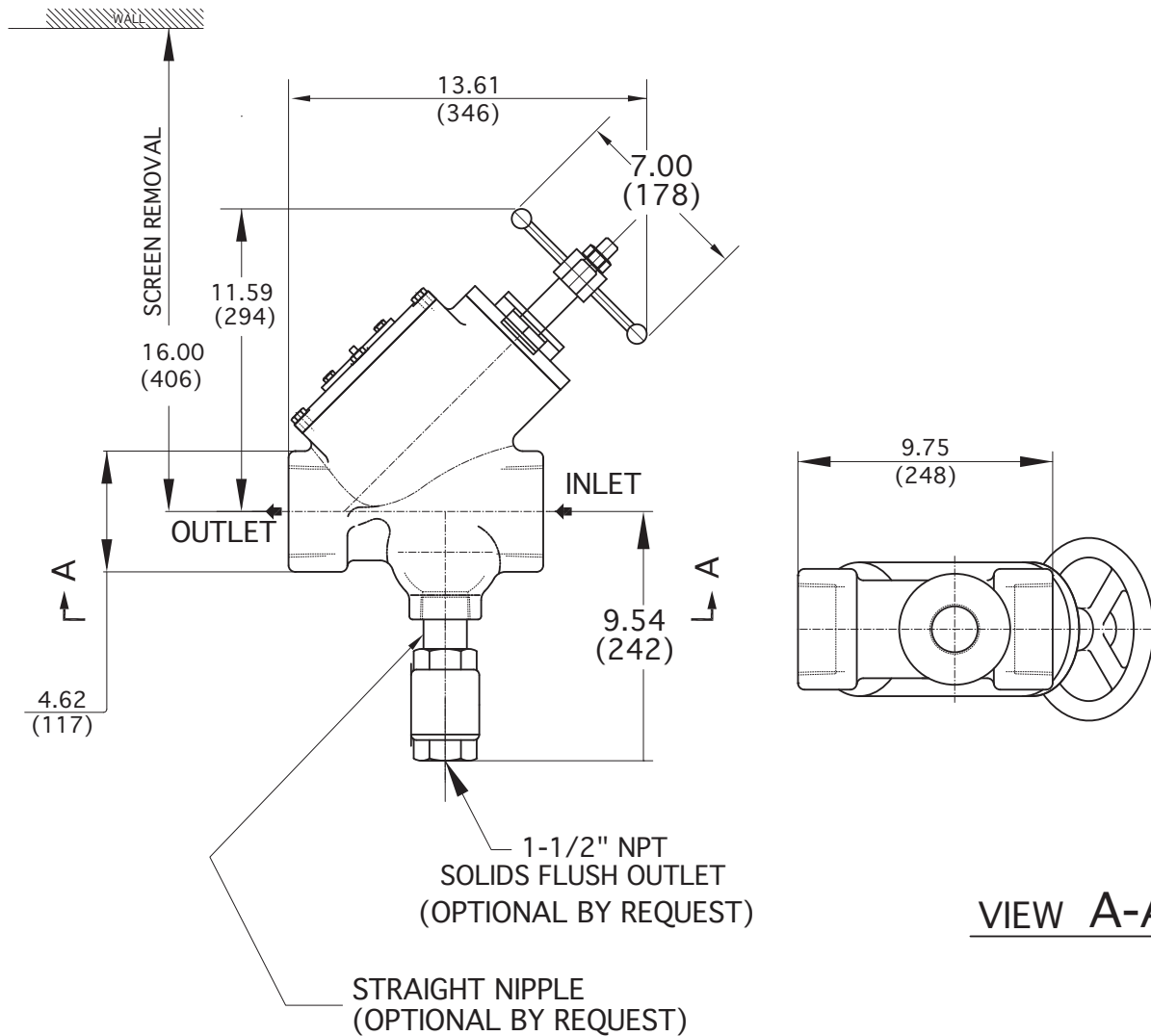


2-1/2" & 3" MANUAL STRAINER

In-Line Flow Type TSH



STRAINER SIZE	THREAD SIZE	APPROX. WEIGHT
2-1/2"	2-1/2" NPT CAST IRON	84 lb
		38 kg
	2-1/2" NPT CAST STEEL and STAINLESS STEEL	89 lb
		40 kg
3"	3" NPT CAST IRON	84 lb
		38 kg
	3" NPT CAST STEEL and STAINLESS STEEL	89 lb
		40 kg

ORIENTATION - DRAIN MUST BE DOWN.
 THESE DIMENSIONS ARE FOR REFERENCE ONLY. FOR INSTALLATION PURPOSES, REQUEST CERTIFIED DRAWINGS.