

HELLAN® STRAINERS & FILTRATION PRODUCTS

A PRODUCT OF THE CLEVELAND GEAR COMPANY, INC.
CLEVELAND, OHIO, USA • 216/641-9000

Hellan Series "SFI" Sight Flow Indicator U.S. Navy Class 150



HELLAN SERIES "SFI" SIGHT FLOW INDICATORS ARE REQUIRED WHEN INSTALLING HELLAN STRAINERS.

THEY MEET ALL NAVY SPECIFICATIONS FOR SHIPBOARD USE.

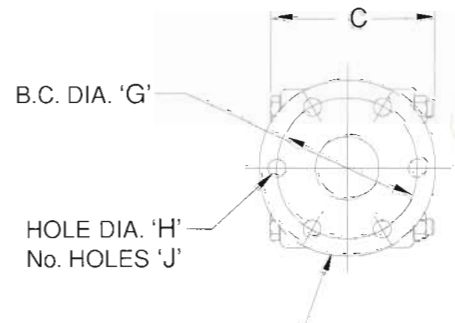
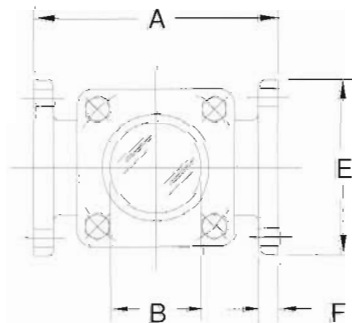
HELLAN SIGHT FLOW INDICATORS ARE DESIGNED FOR USE IN A SEAWATER ENVIRONMENT.

Material Specifications (Bronze/Stainless Steel Construction)

Part	Standard Material
Flanged Body	ASTM B61 Navy Bronze 88-6-1.5-4.5
Nuts	ASTM A194 8M
Bolts & Studs	ASTM A193 B8M
Gasket	Neoprene®
Cushion	Nobestos® D-7301
Glass Cover	ASTM A240 316 STS (Plate)
Glass	Tempered Borosilicate
Band	Volara®

Material Specifications (Bronze/Monel Construction)

Part	Standard Material
Flanged Body	ASTM B61 Navy Bronze 88-6-1.5-4.5
Nuts	Monel 400
Bolts & Studs	Monel 400
Gasket	Neoprene®
Cushion	Nobestos® D-7301
Glass Cover	Monel 400
Glass	Tempered Borosilicate
Band	Volara®



FLANGE SIZE 'D'
150 PSIG FLAT FACE FLANGE
PER MIL-F-20042D

TESTING:
SHOCK TEST PER MIL-S-901

Part No. Bronze/Stainless	Part No. Bronze/Monel	Unit Size	DIM. A	DIM. B	DIM. C	Flange D Size	DIA. E	DIM. F	B.C. G DIA.	Hole H DIA.	No. J HOLES
SFI-1211	SFI-1211M	1"	5-1/2	1-1/2	4-1/2	1	4-1/4	7/16	3-1/8	9/16	4
SFI-125211	SFI-125211M	1-1/4"	6-3/8	2-3/8	5-3/4	1-1/4	4-1/2	7/16	3-3/8	9/16	4
SFI-15211	SFI-15211M	1-1/2"	6-3/8	2-3/8	5-3/4	1-1/2	5-1/16	7/16	3-15/16	9/16	6
SFI-2211	SFI-2211M	2"	7-3/4	2-7/8	7-3/8	2	5-9/16	7/16	4-7/16	9/16	6
SFI-25211	SFI-25211M	2-1/2"	10-1/4	3-3/4	8-15/16	2-1/2	6-1/8	1/2	5	9/16	6
SFI-3211	SFI-3211M	3"	9-1/4	3-3/4	8-15/16	3	6-5/8	1/2	5-1/2	9/16	8
SFI-4211	SFI-4211M	4"	10-7/8	4-3/4	9-1/2	4	7-11/16	5/8	6-9/16	9/16	8

For More Information

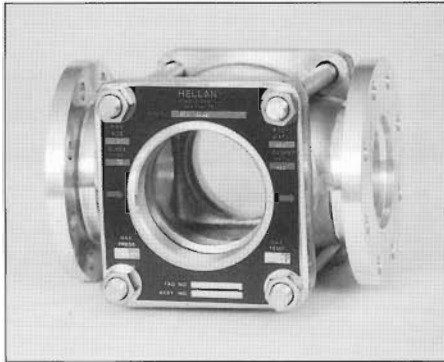
For more information contact:

HELLAN STRAINERS & FILTRATION PRODUCTS
A Product of the Cleveland Gear Company
3249 East 80th Street
Cleveland, OH 44104
Phone: 216/641-9000
Toll Free: 1-888-4-HELLAN
Fax: 216/641-9080

HELLAN[®] STRAINERS & FILTRATION PRODUCTS

A PRODUCT OF THE CLEVELAND GEAR COMPANY, INC.
CLEVELAND, OHIO, USA • 216/641-9000

HELLAN Series "SFI" Sight Flow Indicator U.S. Navy Class 250



Material Specifications (Bronze/Stainless Steel Construction)

Part	Standard Material
Flanged Body	ASTM B61 Navy Bronze 88-6-1.5-4.5
Nuts	ASTM A194 8M
Bolts & Studs	ASTM A193 B8M
Gasket	Neoprene [®]
Cushion	Nobestos [®] D-7301
Glass Cover	ASTM A240 316 STS (Plate)
Glass	Tempered Borosilicate
Band	Volara [®]

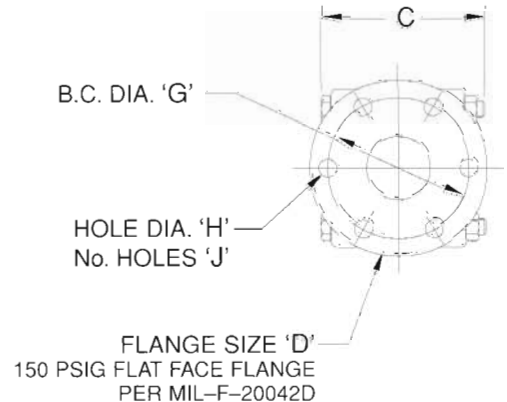
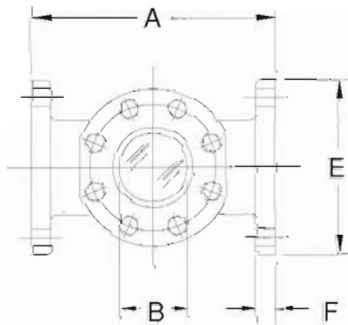
Material Specifications (Bronze/Monel Construction)

Part	Standard Material
Flanged Body	ASTM B61 Navy Bronze 88-6-1.5-4.5
Nuts	Monel 400
Bolts & Studs	Monel 400
Gasket	Neoprene [®]
Cushion	Nobestos [®] D-7301
Glass Cover	Monel 400
Glass	Tempered Borosilicate
Band	Volara [®]

HELLAN SERIES "SFI" SIGHT
FLOW INDICATORS ARE
REQUIRED WHEN INSTALLING
HELLAN STRAINERS.

THEY MEET ALL NAVY
SPECIFICATIONS FOR
SHIPBOARD USE.

HELLAN SIGHT FLOW
INDICATORS ARE DESIGNED
FOR USE IN A SEAWATER
ENVIRONMENT.



TESTING:
SHOCK TEST PER MIL-S-901

Part No. Bronze/Stainless	Part No. Bronze/Monel	Unit Size	DIM. A	DIM. B	DIM. C	Flange D Size	DIA. E	DIM. F	B.C. G DIA.	Hole H DIA.	No. J HOLES
SFI-1212	SFI-1212M	1"	6-3/4	1-3/8	4-7/8	1	4-1/4	3/4	3-1/8	9/16	4
SFI-125212	SFI-125212M	1-1/4"	7-3/8	2	5-7/8	1-1/4	4-1/2	13/16	3-3/8	9/16	4
SFI-15212	SFI-15212M	1-1/2"	7-1/2	2	5-7/8	1-1/2	5-1/16	13/16	3-15/16	9/16	6
SFI-2212	SFI-2212M	2"	8-1/2	2-1/8	7-3/8	2	5-9/16	13/16	4-7/16	11/16	6
SFI-25212	SFI-25212M	2-1/2"	11-1/4	3-3/16	9-5/8	2-1/2	6-1/8	15/16	5	11/16	6
SFI-3212	SFI-3212M	3"	11-1/4	3-3/16	9-5/8	3	6-5/8	15/16	5-1/2	11/16	8
SFI-4212	SFI-4212M	4"	13-1/4	4-1/4	11-1/2	4	7-11/16	1	6-9/16	11/16	8

For More Information

For more information contact:

HELLAN STRAINERS & FILTRATION PRODUCTS
A Product of the Cleveland Gear Company
3249 East 80th Street
Cleveland, OH 44104
Phone: 216/641-9000
Toll Free: 1-888-4-HELLAN
Fax: 216/641-9080