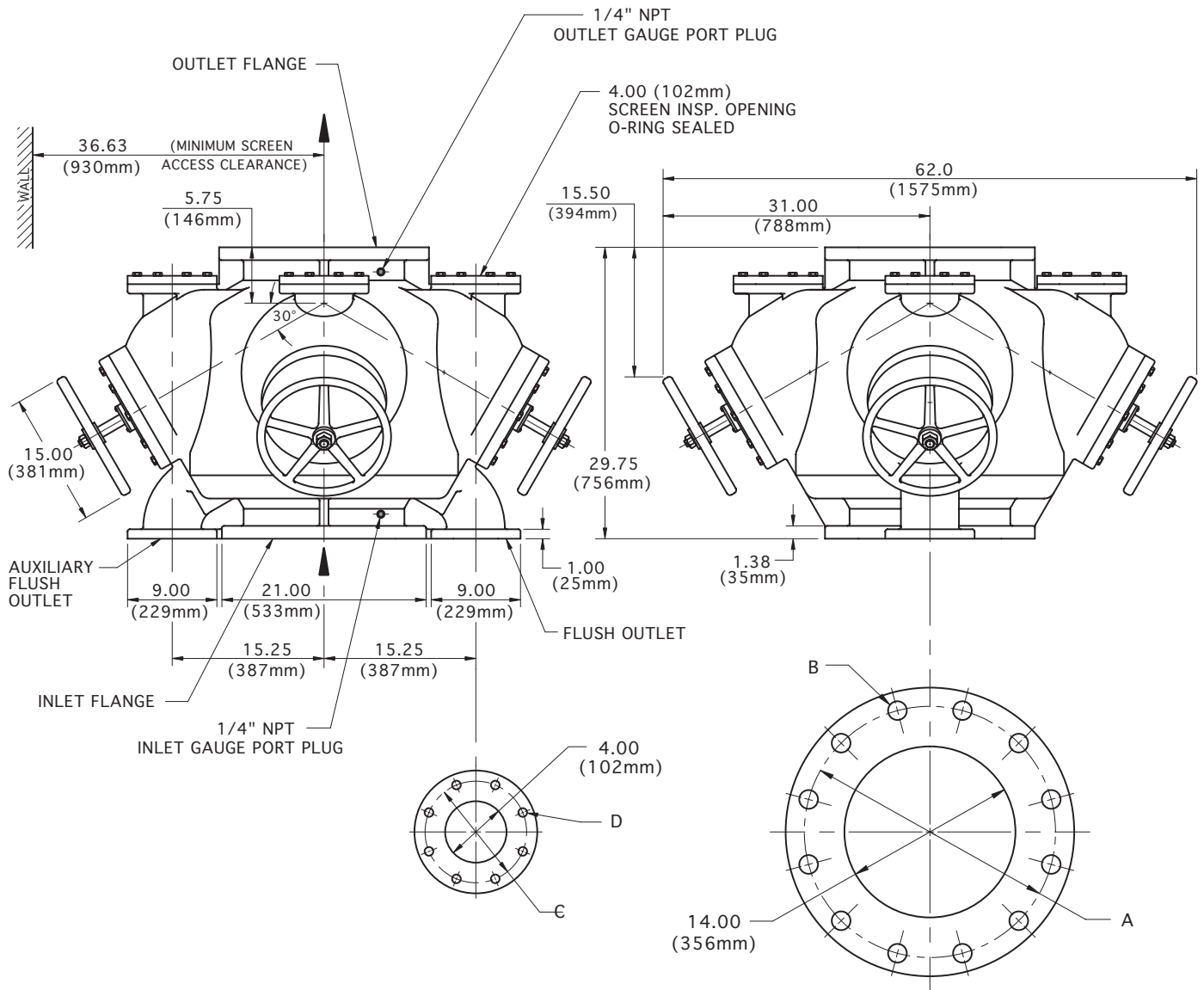


14" MANUAL STRAINER

In-Line Flow Type QH



TOP & BOTTOM FLANGES

FLANGE SIZE		A	B (HOLES)		C	D (HOLES)		APPROX. WEIGHT
			No.	DIA.		No.	DIA.	
ANSI class 125 CAST IRON	INCH	18.75	12	1.12	7.50	8	.75	2275 Lb
	MM	476	12	29	190	8	19	1024 Kg
350 ND 10 DIN 2501	FLANGE DRILLING (NUMBER AND SIZE OF HOLES AND BOLT CIRCLE) IS IN ACCORDANCE WITH D.I.N. STANDARDS. ALL OTHER APPLICABLE DIMENSIONS ARE IN ACCORDANCE WITH ANSI STANDARDS ABOVE.							

THESE DIMENSIONS ARE FOR REFERENCE ONLY. FOR INSTALLATION PURPOSES, REQUEST CERTIFIED DRAWINGS.