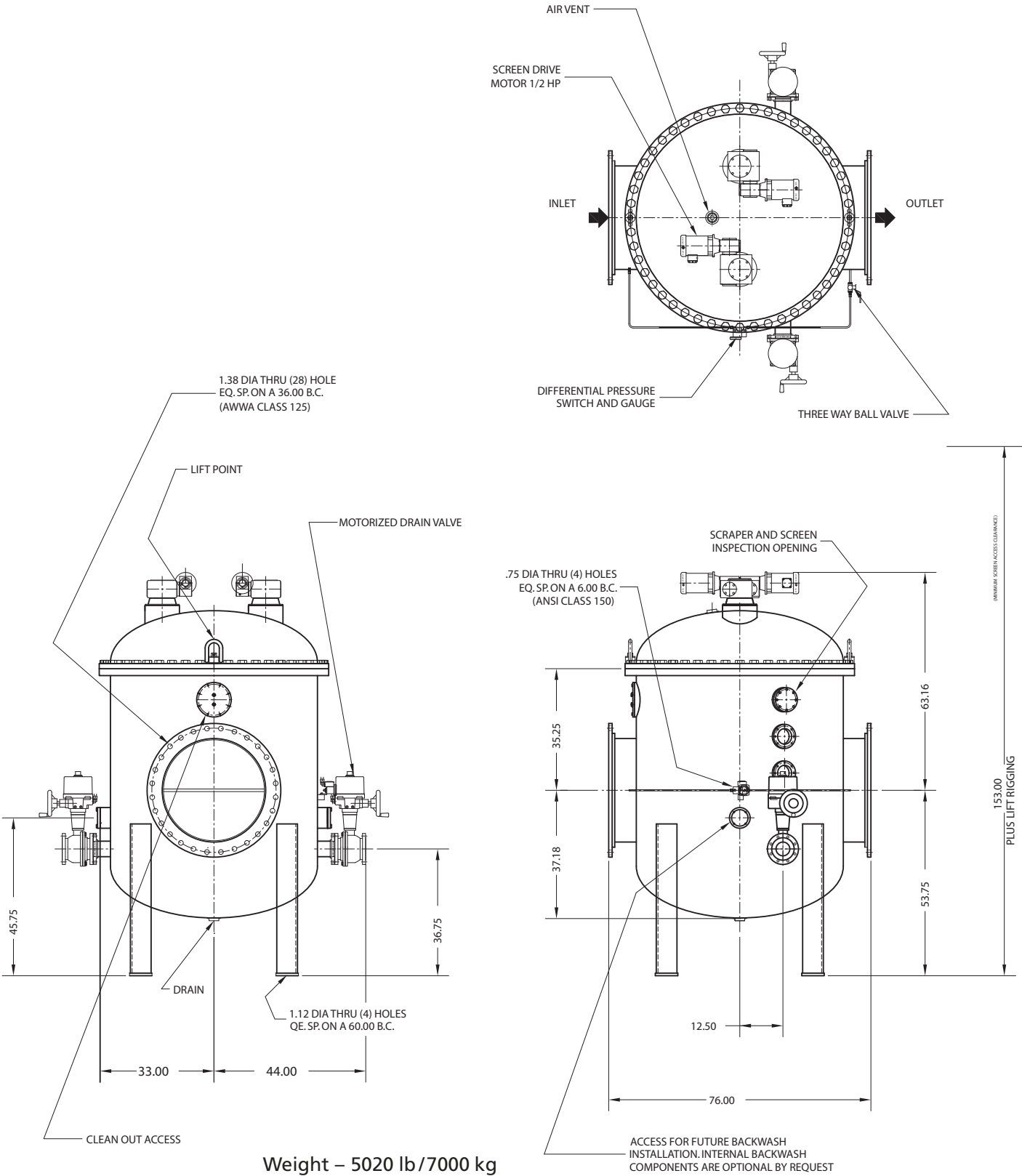


30" AUTOMATIC STRAINER

In-Line Flow Type WDA



THESE DIMENSIONS ARE FOR REFERENCE ONLY. FOR INSTALLATION PURPOSES, REQUEST CERTIFIED DRAWINGS.