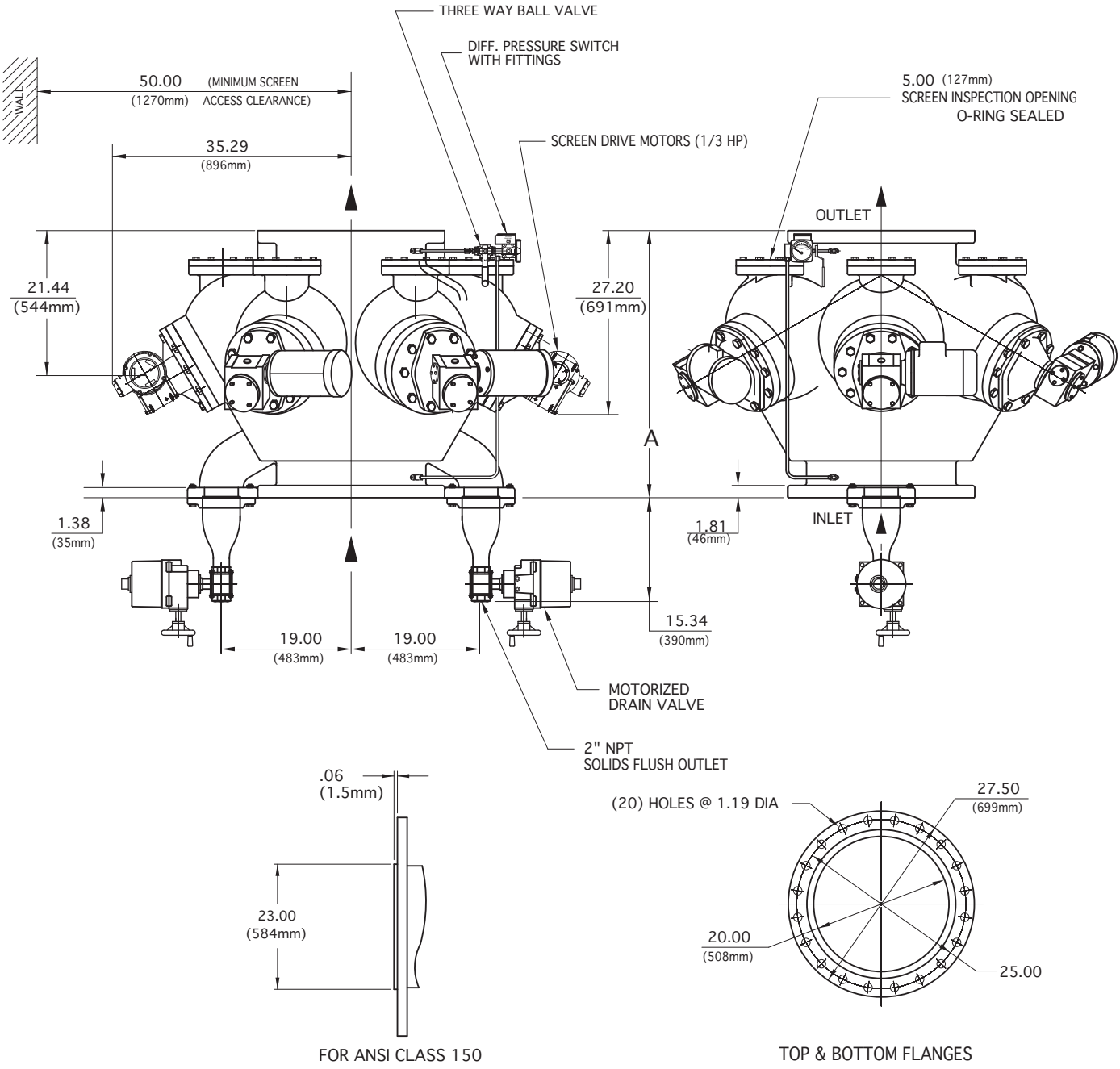


20" AUTOMATIC STRAINER

In-Line Flow Type HA



FLANGE SIZE		A	APPROX. WEIGHT
ANSI class 125 CAST IRON	INCH	39.50	5750 lb
	MM	1003	2588 kg
ANSI class 150 CAST STEEL & STAINLESS STEEL	INCH	39.09	6040 lb
	MM	993	13288 kg

THESE DIMENSIONS ARE FOR REFERENCE ONLY. FOR INSTALLATION PURPOSES, REQUEST CERTIFIED DRAWINGS.