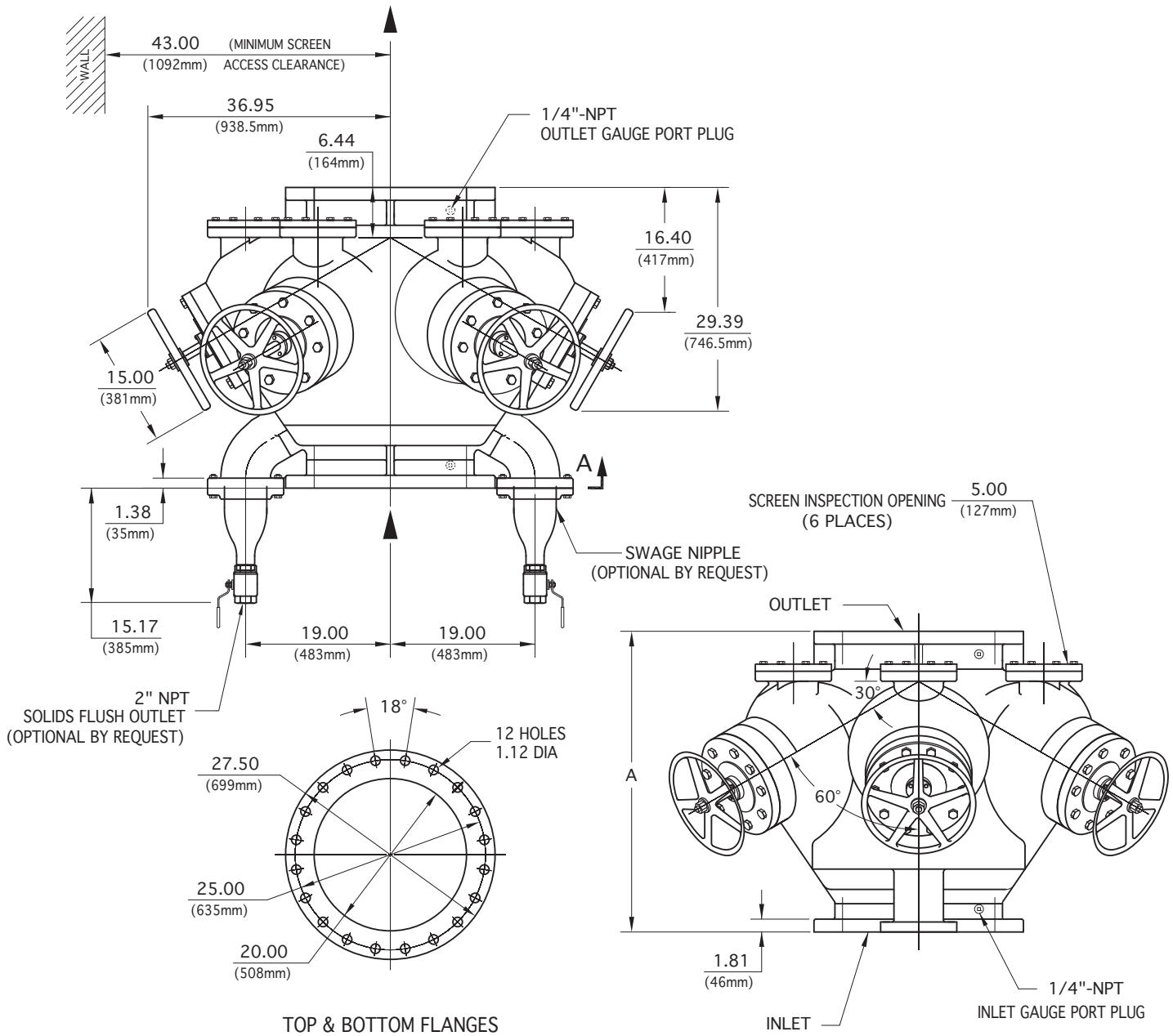


# 20" MANUAL STRAINER

## In-Line Flow Type HH



| SIZE  |      | A     | APPROX. WEIGHT |
|---|------|-------|----------------|
| ANSI class 125<br>CAST IRON                       | INCH | 39.50 | 3950 lb        |
|   | MM   | 1003  | 1790 kg        |
| ANSI class 150<br>CAST STEEL &<br>STAINLESS STEEL | INCH | 39.09 | 4309 lb        |
|   | MM   | 993   | 1960 kg        |

THESE DIMENSIONS ARE FOR REFERENCE ONLY. FOR INSTALLATION PURPOSES, REQUEST CERTIFIED DRAWINGS.