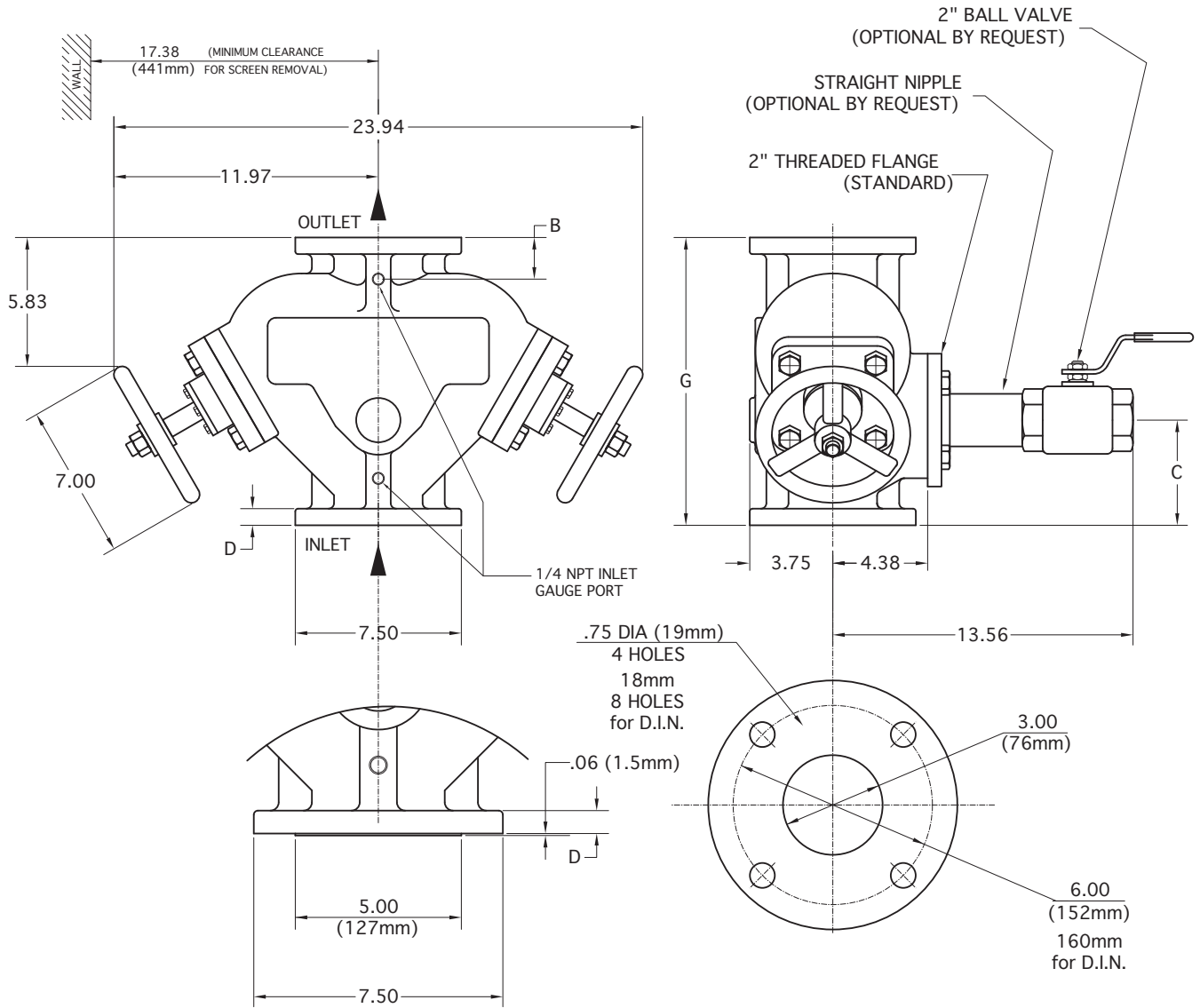


3" MANUAL STRAINER

In-Line Flow Type DH



FOR ANSI FLANGE CLASS 150

TOP & BOTTOM FLANGES

FLANGE SIZE		B	C	D	G	APPROX. WEIGHT
ANSI class 125 CAST IRON	INCH	1.88	4.75	.75	13.00	135 lb
	MM	48	121	19	330	61 kg
ANSI class 150 CAST STEEL & STAINLESS STEEL	INCH	2.06	4.94	.94	13.38	145 lb
	MM	52	125	24	340	66 kg
80 DN 10 DIN 2501	FLANGE DRILLING (NUMBER AND SIZE OF HOLES AND BOLT CIRCLE) IS IN ACCORDANCE WITH D.I.N. STANDARDS. ALL OTHER APPLICABLE DIMENSIONS ARE IN ACCORDANCE WITH ANSI STANDARDS ABOVE.					

ORIENTATION - DRAIN MUST BE DOWN

THESE DIMENSIONS ARE FOR REFERENCE ONLY. FOR INSTALLATION PURPOSES, REQUEST CERTIFIED DRAWINGS.