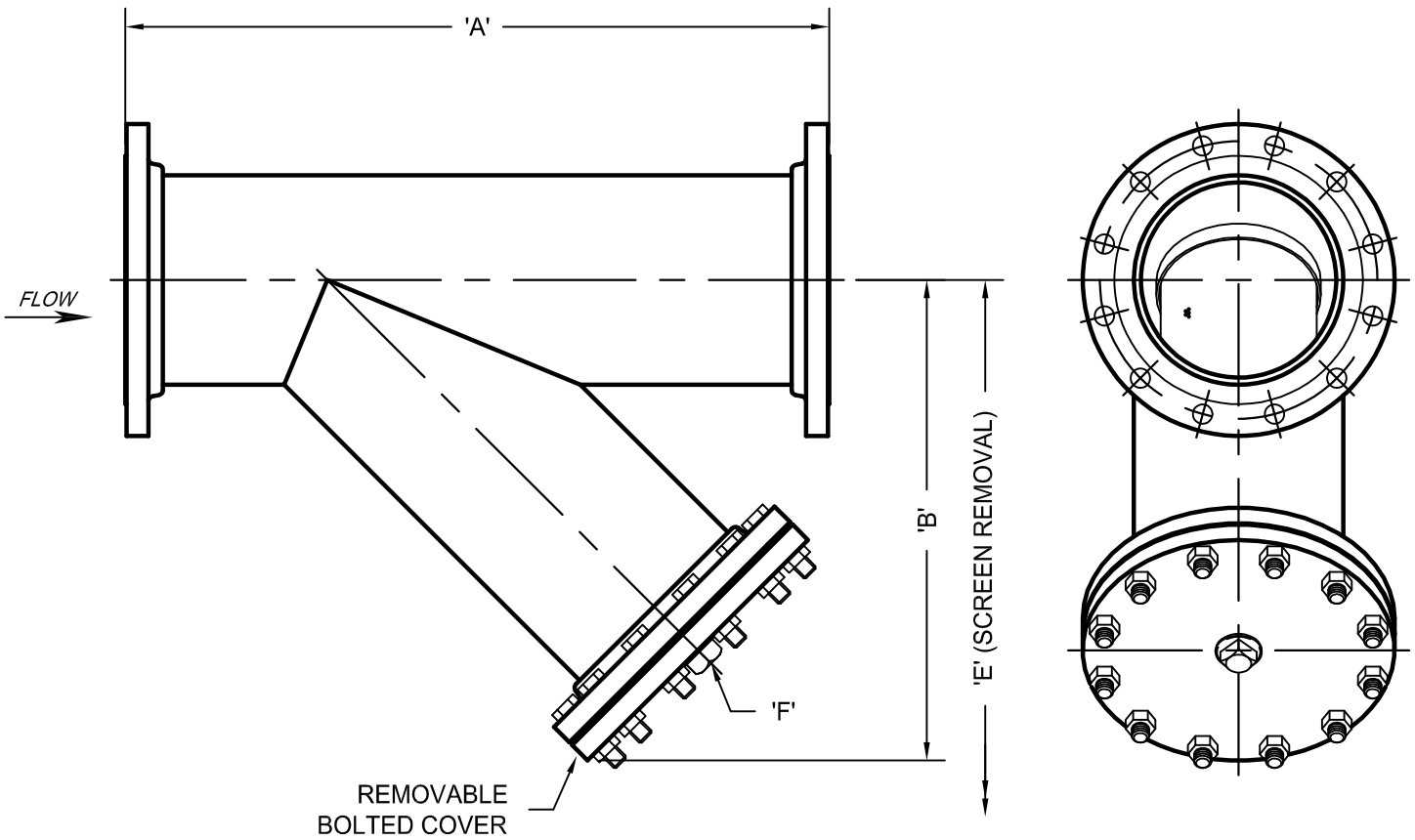


HELLAN STRAINER COMPANY CLAIMS PROPRIETARY RIGHTS TO THE MATERIAL DISCLOSED HEREON. THIS DRAWING IS ISSUED FOR ENGINEERING INFORMATION ONLY AND MAY NOT BE REPRODUCED OR USED FOR MANUFACTURING PURPOSES WITHOUT WRITTEN PERMISSION FROM HELLAN STRAINER COMPANY.



Size	Std. Open Area	Gross Area	Free Area	OAR*	Dimensions (150#)				Est. Weight
					A	B**	E	F	
2" (50 mm)	40%	39 in ²	16 in ²	4.6	10 13/16" (275 mm)	8 1/4" (210 mm)	13 1/4" (337 mm)	1/2" FNPT	23 lbs (13 kg)
2 1/2" (65 mm)	40%	50 in ²	20 in ²	4.2	13 3/8" (340 mm)	10 1/4" (260 mm)	16 7/16" (418 mm)	1" FNPT	81 lbs (37 kg)
3" (75 mm)	40%	77 in ²	31 in ²	4.2	13 3/8" (340 mm)	10 1/4" (260 mm)	16 7/16" (418 mm)	1" FNPT	81 lbs (37 kg)
4" (100 mm)	40%	135 in ²	54 in ²	4.2	14 3/4" (375 mm)	10 1/2" (267 mm)	16 3/4" (425 mm)	1 1/2" FNPT	85 lbs (39 kg)
5" (125 mm)	40%	160 in ²	64 in ²	3.2	17 1/4" (438 mm)	12 1/2" (318 mm)	20" (508 mm)	1 1/2" FNPT	110 lbs (50 kg)
6" (150 mm)	40%	215 in ²	86 in ²	3.0	22" (559 mm)	14" (356 mm)	22 7/16" (570 mm)	2" FNPT	145 lbs (66 kg)
8" (200 mm)	40%	375 in ²	150 in ²	3.0	24" (610 mm)	17 3/4" (451 mm)	28 7/16" (722 mm)	2" FNPT	256 lbs (116 kg)
10" (250 mm)	40%	545 in ²	218 in ²	2.8	31 1/2" (800 mm)	22" (559 mm)	35 1/4" (895 mm)	2" FNPT	380 lbs (172 kg)
12" (300 mm)	40%	785 in ²	314 in ²	2.8	32 3/4" (832 mm)	25" (635 mm)	40" (1016 mm)	2" FNPT	700 lbs (317 kg)
14" (350 mm)	50%	900 in ²	450 in ²	3.3	39 3/4" (1010 mm)	27" (686 mm)	43 1/4" (1099 mm)	2" FNPT	750 lbs (340 kg)
16" (400 mm)	50%	1210 in ²	605 in ²	3.3	45 1/4" (1149 mm)	30 7/8" (784 mm)	49 1/2" (1257 mm)	2" FNPT	905 lbs (410 kg)
18" (450 mm)	50%	1560 in ²	780 in ²	3.3	48 1/2" (1232 mm)	33 7/8" (860 mm)	54 1/4" (1378 mm)	2" FNPT	1125 lbs (510 kg)
20" (500 mm)	50%	1950 in ²	975 in ²	3.4	53 3/4" (1365 mm)	39" (991 mm)	62 1/2" (1588 mm)	2" FNPT	1415 lbs (641 kg)
24" (600 mm)	50%	2765 in ²	1383 in ²	3.3	64" (1626 mm)	44" (1118 mm)	70 1/2" (1791 mm)	2" FNPT	1825 lbs (827 kg)

*OAR = Open Area Ratio

**Dimension shown for 150# Flanges, Increased for 300# Flanges

NOTE: DIMENSIONAL INFORMATION SHOWN ARE FOR REFERENCE USE ONLY NOT FOR CONSTRUCTION. ALL DIMENSIONS ARE SUBJECT TO CHANGE.



Hellan Strainer Company, Inc.
a Subsidiary of Industrial Manufacturing Company
Cleveland, Ohio 44104 U.S.A.

TITLE

Fabricated WYE Strainers
Bolted Cover - 150# R.F.

DRAWN JLH	DWG. NO. 3WWB-1-S	ISSUE 1
DATE 05/30/2014		