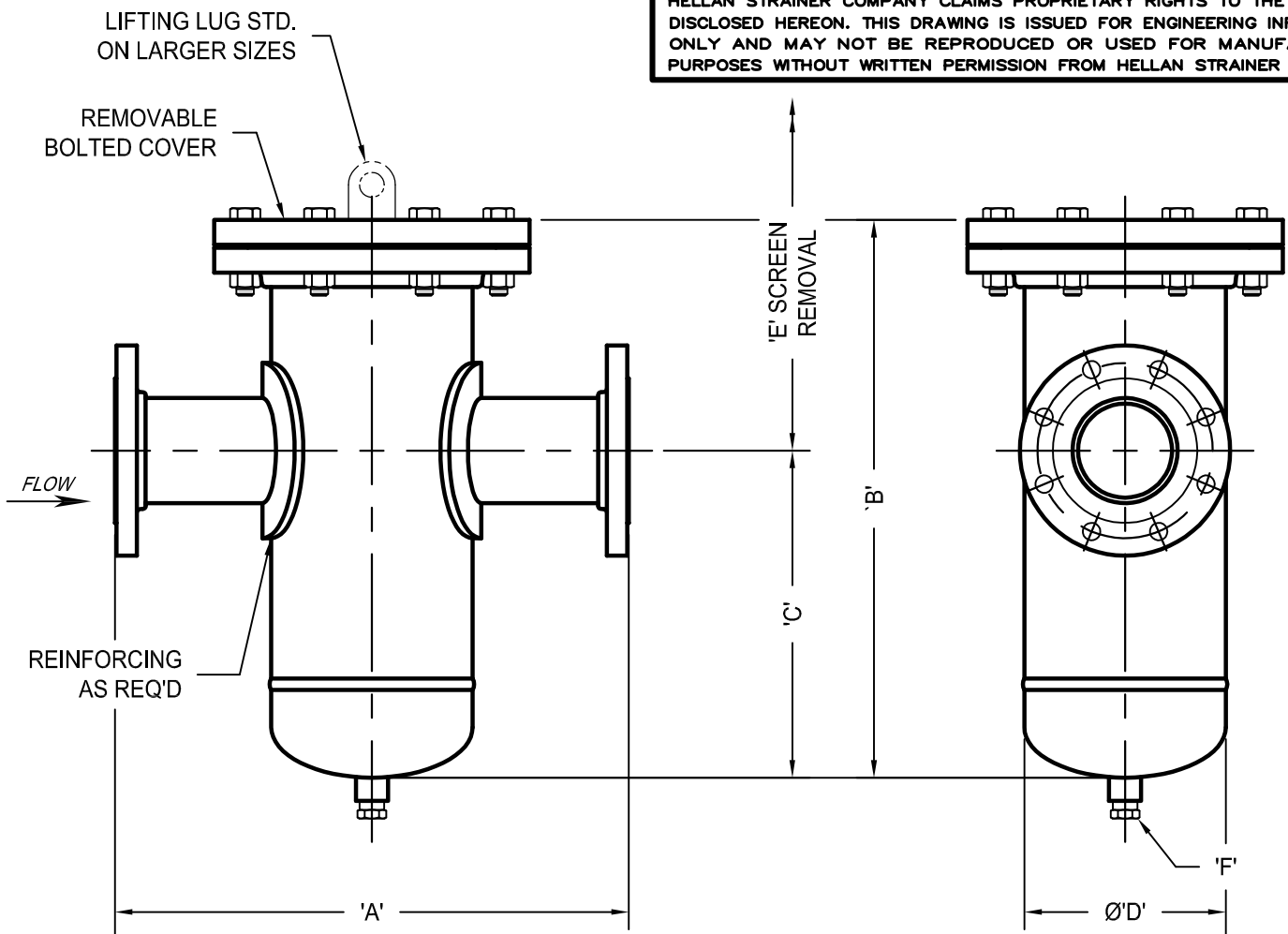


HELLAN STRAINER COMPANY CLAIMS PROPRIETARY RIGHTS TO THE MATERIAL DISCLOSED HEREON. THIS DRAWING IS ISSUED FOR ENGINEERING INFORMATION ONLY AND MAY NOT BE REPRODUCED OR USED FOR MANUFACTURING PURPOSES WITHOUT WRITTEN PERMISSION FROM HELLAN STRAINER COMPANY.

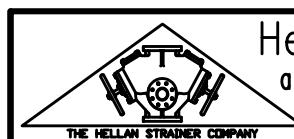


| Size         | Std. Open Area | Gross Area           | Free Area            | OAR* | Dimensions (150#) |                   |                  |                  |                     |             | Est. Weight        |
|--------------|----------------|----------------------|----------------------|------|-------------------|-------------------|------------------|------------------|---------------------|-------------|--------------------|
|              |                |                      |                      |      | A**               | B**               | C**              | D                | E**                 | F           |                    |
| 2" (50 mm)   | 40%            | 266 in <sup>2</sup>  | 106 in <sup>2</sup>  | 31.7 | 15" (381 mm)      | 22 1/4" (565 mm)  | 14" (356 mm)     | 8 5/8" (219 mm)  | 25 15/16" (659 mm)  | 1/2" FNPT   | 135 lbs (61 kg)    |
| 3" (75 mm)   | 40%            | 350 in <sup>2</sup>  | 140 in <sup>2</sup>  | 19.0 | 22 5/8" (575 mm)  | 26 7/8" (683 mm)  | 15 7/8" (403 mm) | 10 3/4" (273 mm) | 32 5/8" (829 mm)    | 1/2" FNPT   | 150 lbs (68 kg)    |
| 4" (100 mm)  | 40%            | 350 in <sup>2</sup>  | 140 in <sup>2</sup>  | 11.0 | 22 5/8" (575 mm)  | 26 7/8" (683 mm)  | 15 7/8" (403 mm) | 10 3/4" (273 mm) | 32 5/8" (829 mm)    | 1/2" FNPT   | 160 lbs (73 kg)    |
| 6" (150 mm)  | 40%            | 562 in <sup>2</sup>  | 225 in <sup>2</sup>  | 7.8  | 25" (635 mm)      | 32" (813 mm)      | 21" (533 mm)     | 12 3/4" (324 mm) | 37 1/8" (943 mm)    | 3/4" FNPT   | 300 lbs (136 kg)   |
| 8" (200 mm)  | 40%            | 762 in <sup>2</sup>  | 305 in <sup>2</sup>  | 6.1  | 28" (711 mm)      | 37" (940 mm)      | 23" (584 mm)     | 14" (356 mm)     | 44 9/16" (1132 mm)  | 1" FNPT     | 520 lbs (236 kg)   |
| 10" (250 mm) | 40%            | 1179 in <sup>2</sup> | 472 in <sup>2</sup>  | 6.0  | 36" (914 mm)      | 47 1/8" (1197 mm) | 30 3/8" (772 mm) | 18" (457 mm)     | 53 11/16" (1364 mm) | 1 1/2" FNPT | 1150 lbs (523 kg)  |
| 12" (300 mm) | 40%            | 1338 in <sup>2</sup> | 535 in <sup>2</sup>  | 4.7  | 37" (940 mm)      | 46 1/4" (1175 mm) | 31" (787 mm)     | 20" (508 mm)     | 52 7/8" (1343 mm)   | 1 1/2" FNPT | 1500 lbs (682 kg)  |
| 14" (350 mm) | 50%            | 1916 in <sup>2</sup> | 958 in <sup>2</sup>  | 6.9  | 42" (1067 mm)     | 56 1/8" (1426 mm) | 34 1/2" (876 mm) | 24" (610 mm)     | 66 3/8" (1686 mm)   | 1 1/2" FNPT | 1850 lbs (841 kg)  |
| 16" (400 mm) | 50%            | 3393 in <sup>2</sup> | 1696 in <sup>2</sup> | 9.6  | 52" (1321 mm)     | 72 1/2" (1842 mm) | 49" (1245 mm)    | 30" (762 mm)     | 82 1/2" (2096 mm)   | 2" FNPT     | 2800 lbs (1273 kg) |
| 18" (450 mm) | 50%            | 3393 in <sup>2</sup> | 1696 in <sup>2</sup> | 7.5  | 52" (1321 mm)     | 72 1/2" (1842 mm) | 49" (1245 mm)    | 30" (762 mm)     | 82 1/2" (2096 mm)   | 2" FNPT     | 3050 lbs (1386 kg) |
| 20" (500 mm) | 50%            | 5150 in <sup>2</sup> | 2575 in <sup>2</sup> | 9.7  | 64" (1626 mm)     | 88 5/8" (2251 mm) | 60" (1524 mm)    | 36" (914 mm)     | 99 3/4" (2534 mm)   | 2" FNPT     | 4000 lbs (1909 kg) |

\*OAR = Open Area Ratio

\*\*Dimension shown for 150# Flanges, Increased for 300# Flanges

**NOTE:** DIMENSIONAL INFORMATION SHOWN ARE FOR REFERENCE USE ONLY NOT FOR CONSTRUCTION. ALL DIMENSIONS ARE SUBJECT TO CHANGE.



Hellan Strainer Company, Inc.  
a Subsidiary of Industrial Manufacturing Company  
Cleveland, Ohio 44104 U.S.A.

|   |          |       |
|---|----------|-------|
| TITLE   |          |       |
| Fabricated Simplex Basket Strainers<br>Oversized - Bolted Cover - 150# R.F. |          |       |
| DRAWN<br>JLH  | DWG. NO. | ISSUE |
| DATE<br>05/30/2014  | 3WVB-1-S | 1     |