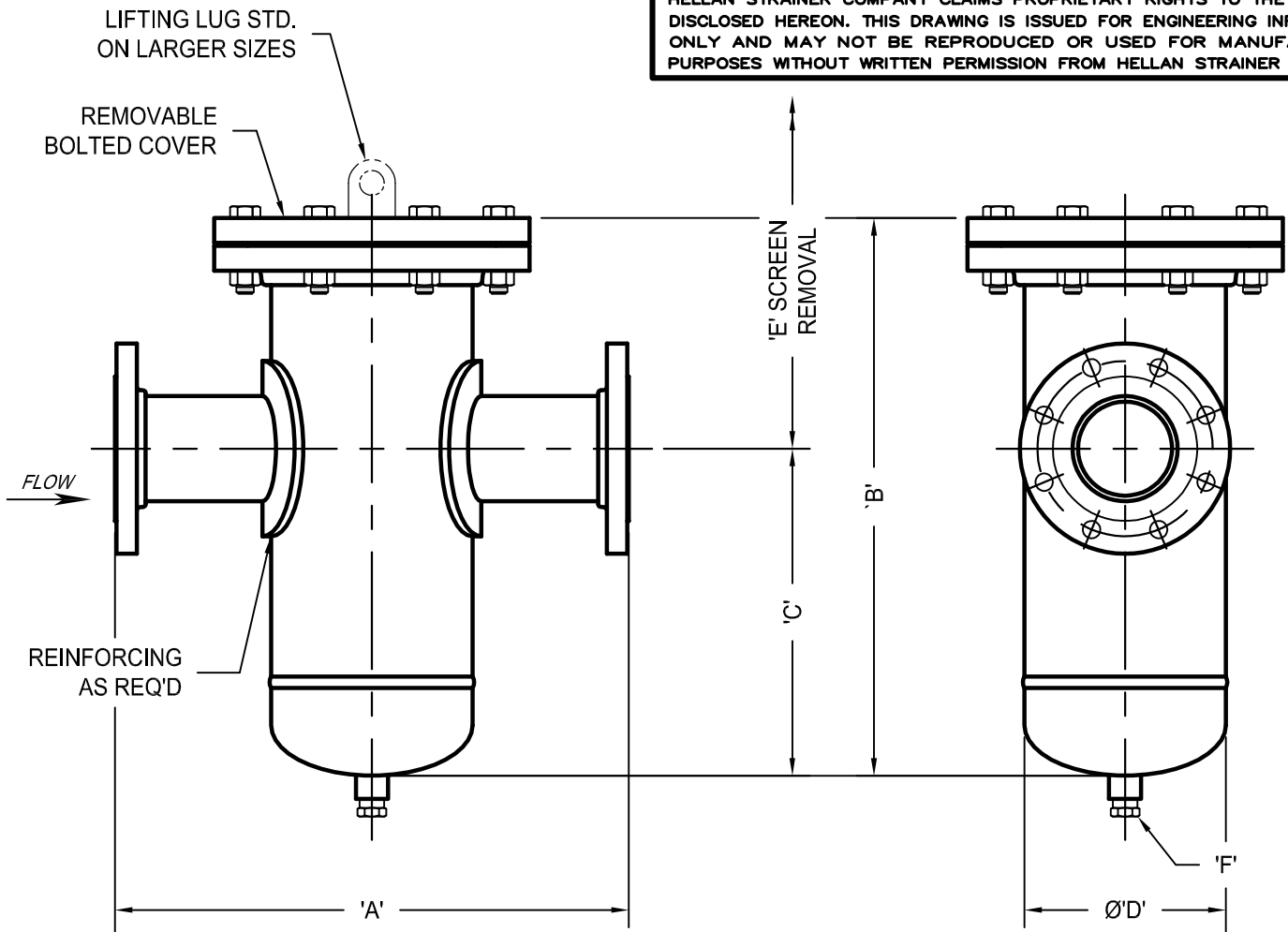


HELLAN STRAINER COMPANY CLAIMS PROPRIETARY RIGHTS TO THE MATERIAL DISCLOSED HEREON. THIS DRAWING IS ISSUED FOR ENGINEERING INFORMATION ONLY AND MAY NOT BE REPRODUCED OR USED FOR MANUFACTURING PURPOSES WITHOUT WRITTEN PERMISSION FROM HELLAN STRAINER COMPANY.

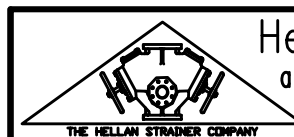


Size	Std. Open Area	Gross Area	Free Area	OAR*	Dimensions (150#)						Est. Weight
					A**	B**	C**	D	E**	F	
2" (50 mm)	40%	78 in ²	31 in ²	9.3	10" (254 mm)	14 7/8" (378 mm)	8 7/8" (226 mm)	4 1/2" (114 mm)	22 1/8" (562 mm)	1/2" FNPT	34 lbs (15 kg)
3" (75 mm)	40%	133 in ²	53 in ²	7.2	13 1/2" (343 mm)	19 1/8" (486 mm)	11 5/8" (295 mm)	6 5/8" (168 mm)	20 3/4" (527 mm)	1/2" FNPT	106 lbs (48 kg)
4" (100 mm)	40%	133 in ²	53 in ²	4.2	14" (356 mm)	17 7/8" (454 mm)	10 5/8" (270 mm)	6 5/8" (168 mm)	21 1/8" (536 mm)	1/2" FNPT	114 lbs (52 kg)
6" (150 mm)	40%	266 in ²	106 in ²	3.7	14 7/8" (378 mm)	22 1/8" (562 mm)	12 1/2" (318 mm)	8 5/8" (219 mm)	27 1/4" (692 mm)	3/4" FNPT	140 lbs (64 kg)
8" (200 mm)	40%	451 in ²	180 in ²	3.6	18" (457 mm)	30 7/16" (773 mm)	19 1/2" (495 mm)	10 3/4" (273 mm)	36 1/8" (917 mm)	1" FNPT	350 lbs (159 kg)
10" (250 mm)	40%	562 in ²	225 in ²	2.9	20" (508 mm)	36 1/2" (927 mm)	21" (533 mm)	12 3/4" (324 mm)	32 1/4" (819 mm)	1 1/2" FNPT	400 lbs (181 kg)
12" (300 mm)	40%	703 in ²	281 in ²	2.5	26 1/4" (667 mm)	37 5/8" (956 mm)	22" (559 mm)	14" (356 mm)	46 7/8" (1191 mm)	1 1/2" FNPT	595 lbs (270 kg)
14" (350 mm)	50%	938 in ²	469 in ²	3.4	30" (762 mm)	41 5/8" (1057 mm)	26" (660 mm)	16" (406 mm)	46 3/8" (1178 mm)	1 1/2" FNPT	1208 lbs (548 kg)
16" (400 mm)	50%	1204 in ²	602 in ²	3.3	34" (864 mm)	45 3/4" (1162 mm)	30" (762 mm)	18" (457 mm)	55" (1397 mm)	2" FNPT	1900 lbs (862 kg)
18" (450 mm)	50%	1429 in ²	715 in ²	3.1	38 3/8" (975 mm)	48 1/8" (1222 mm)	28" (711 mm)	20" (508 mm)	59 3/4" (1518 mm)	2" FNPT	1965 lbs (892 kg)
20" (500 mm)	50%	1916 in ²	958 in ²	3.3	40 3/4" (1035 mm)	55 5/8" (1413 mm)	32" (813 mm)	24" (610 mm)	66 1/2" (1689 mm)	2" FNPT	2600 lbs (1179 kg)
24" (600 mm)	50%	3393 in ²	1696 in ²	4.2	45 1/4" (1149 mm)	62 7/8" (1597 mm)	38" (965 mm)	30" (762 mm)	79" (2007 mm)	2" FNPT	4000 lbs (1814 kg)

*OAR = Open Area Ratio

**Dimension shown for 150# Flanges, Increased for 300# Flanges

NOTE: DIMENSIONAL INFORMATION SHOWN ARE FOR REFERENCE USE ONLY NOT FOR CONSTRUCTION. ALL DIMENSIONS ARE SUBJECT TO CHANGE.



Hellan Strainer Company, Inc.
a Subsidiary of Industrial Manufacturing Company
Cleveland, Ohio 44104 U.S.A.

TITLE Fabricated Simplex Basket Strainers Undersized - Bolted Cover - 150# R.F.		
DRAWN JLH	DWG. NO. 3WUB-1-S	ISSUE 1
DATE 05/30/2014		