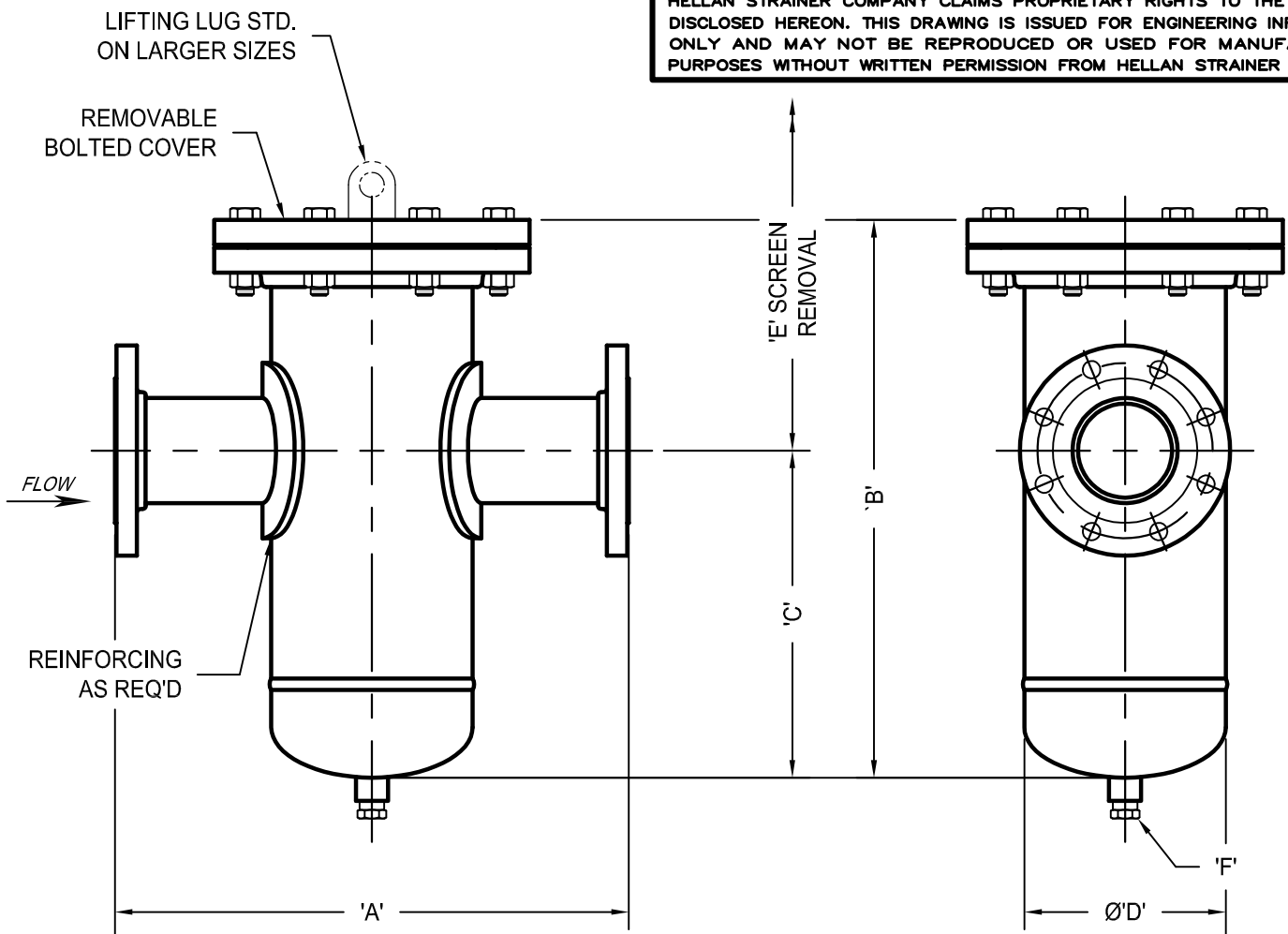


HELLAN STRAINER COMPANY CLAIMS PROPRIETARY RIGHTS TO THE MATERIAL DISCLOSED HEREON. THIS DRAWING IS ISSUED FOR ENGINEERING INFORMATION ONLY AND MAY NOT BE REPRODUCED OR USED FOR MANUFACTURING PURPOSES WITHOUT WRITTEN PERMISSION FROM HELLAN STRAINER COMPANY.

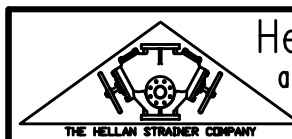


Size	Std. Open Area	Gross Area	Free Area	OAR*	Dimensions (150#)						Est. Weight
					A**	B**	C**	D	E**	F	
2" (50 mm)	40%	171 in ²	68 in ²	20.3	12" (305 mm)	18 5/8" (473 mm)	11 1/8" (283 mm)	6 5/8" (168 mm)	25" (635 mm)	1/2" FNPT	85 lbs (39 kg)
3" (75 mm)	40%	266 in ²	106 in ²	14.4	14" (521 mm)	20 1/2" (521 mm)	12 1/2" (318 mm)	8 5/8" (219 mm)	28 1/2" (724 mm)	3/4" FNPT	140 lbs (64 kg)
4" (100 mm)	40%	266 in ²	106 in ²	8.4	16" (406 mm)	22 1/4" (565 mm)	14" (356 mm)	8 5/8" (219 mm)	30 1/2" (775 mm)	1" FNPT	145 lbs (66 kg)
5" (125 mm)	40%	377 in ²	151 in ²	7.5	18" (457 mm)	24 1/4" (616 mm)	17" (432 mm)	10 3/4" (273 mm)	30 1/2" (775 mm)	1" FNPT	160 lbs (73 kg)
6" (150 mm)	40%	377 in ²	151 in ²	5.2	20" (508 mm)	27" (686 mm)	17" (432 mm)	10 3/4" (273 mm)	36" (914 mm)	1" FNPT	205 lbs (93 kg)
8" (200 mm)	40%	562 in ²	225 in ²	4.5	22" (559 mm)	32" (813 mm)	21" (533 mm)	12 3/4" (324 mm)	43" (1092 mm)	1 1/2" FNPT	420 lbs (191 kg)
10" (250 mm)	40%	938 in ²	375 in ²	4.8	32" (813 mm)	41 1/2" (1054 mm)	25" (635 mm)	16" (406 mm)	58" (1473 mm)	1 1/2" FNPT	650 lbs (295 kg)
12" (300 mm)	40%	1179 in ²	472 in ²	4.2	35" (889 mm)	44 3/4" (1137 mm)	28" (711 mm)	18" (457 mm)	61 1/2" (1562 mm)	2" FNPT	1205 lbs (547 kg)
14" (350 mm)	50%	1429 in ²	715 in ²	5.2	37" (940 mm)	48 3/4" (1238 mm)	33" (838 mm)	20" (508 mm)	64 1/2" (1638 mm)	2" FNPT	1600 lbs (726 kg)
16" (400 mm)	50%	1940 in ²	970 in ²	5.5	42" (1067 mm)	54 1/4" (1378 mm)	36" (914 mm)	24" (610 mm)	72 1/2" (1842 mm)	2" FNPT	1965 lbs (891 kg)
18" (450 mm)	50%	2166 in ²	1083 in ²	4.8	46 1/2" (1181 mm)	60" (1524 mm)	40" (1016 mm)	24" (610 mm)	80" (2032 mm)	2" FNPT	2200 lbs (998 kg)
20" (500 mm)	50%	3393 in ²	1696 in ²	6.1	52" (1321 mm)	68" (1727 mm)	46" (1168 mm)	30" (762 mm)	90" (2286 mm)	2" FNPT	3200 lbs (1452 kg)
24" (600 mm)	50%	5150 in ²	2575 in ²	6.4	64" (1626 mm)	82 3/4" (2102 mm)	55" (1397 mm)	36" (914 mm)	110 1/2" (2807 mm)	2" FNPT	4500 lbs (2041 kg)

*OAR = Open Area Ratio

**Dimension shown for 150# Flanges, Increased for 300# Flanges

NOTE: DIMENSIONAL INFORMATION SHOWN ARE FOR REFERENCE USE ONLY NOT FOR CONSTRUCTION. ALL DIMENSIONS ARE SUBJECT TO CHANGE.



Hellan Strainer Company, Inc.
a Subsidiary of Industrial Manufacturing Company
Cleveland, Ohio 44104 U.S.A.

TITLE Fabricated Simplex Basket Strainers Standard - Bolted Cover - 150# R.F.		
DRAWN JLH	DWG. NO. 3WFB-1-S	ISSUE 1
DATE 05/30/2014		