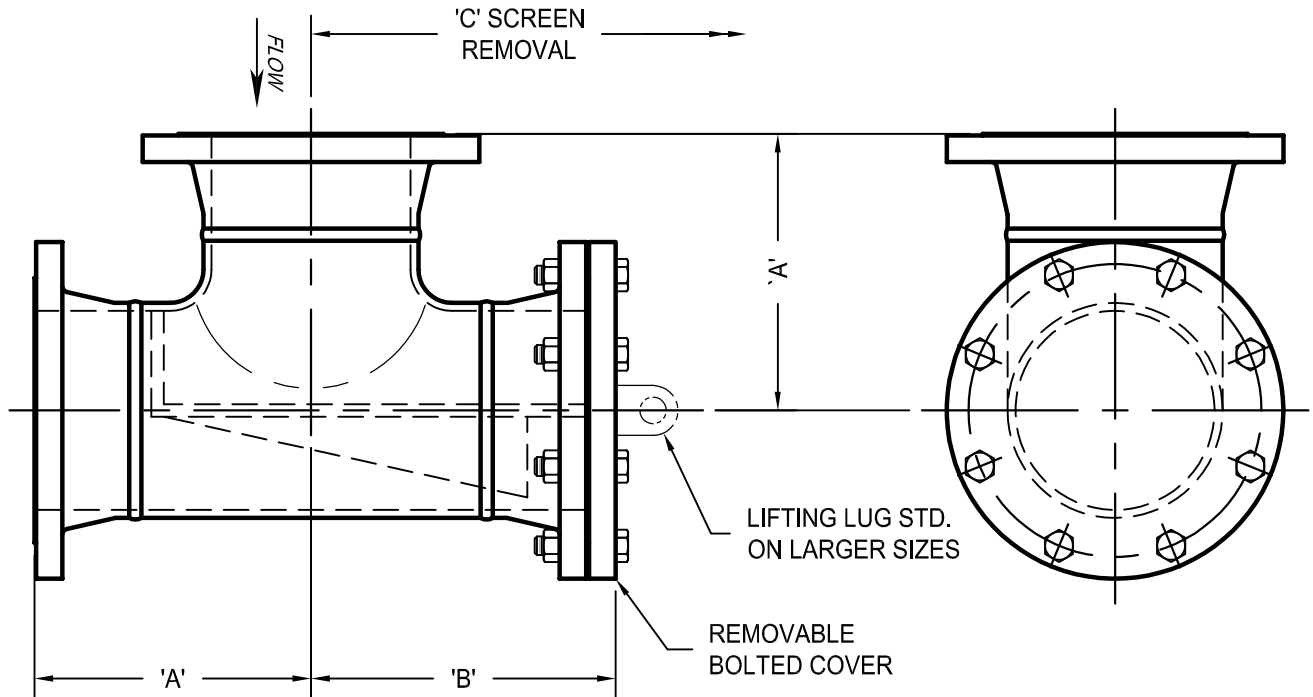


HELLAN STRAINER COMPANY CLAIMS PROPRIETARY RIGHTS TO THE MATERIAL DISCLOSED HEREON. THIS DRAWING IS ISSUED FOR ENGINEERING INFORMATION ONLY AND MAY NOT BE REPRODUCED OR USED FOR MANUFACTURING PURPOSES WITHOUT WRITTEN PERMISSION FROM HELLAN STRAINER COMPANY.




Size	Std. Open Area	Gross Area	Free Area	OAR*	Dimensions (150#)			Est. Weight
					A**	B**	C**	
2" (50 mm)					5 3/32" (129 mm)	6" (152 mm)	12 5/8" (320 mm)	28 lbs (13 kg)
2 1/2" (65 mm)					5 27/32" (148 mm)	6 3/4" (171 mm)	14 7/8" (377 mm)	40 lbs (18 kg)
3" (75 mm)					6 7/32" (158 mm)	7 1/4" (185 mm)	15 3/8" (390 mm)	52 lbs (24 kg)
4" (100 mm)					7 7/32" (183 mm)	8 1/4" (210 mm)	18 1/2" (469 mm)	79 lbs (36 kg)
5" (125 mm)					8 15/32" (215 mm)	9 1/2" (242 mm)	21 3/4" (552 mm)	105 lbs (48 kg)
6" (150 mm)					9 7/32" (234 mm)	10 3/8" (263 mm)	23 3/4" (604 mm)	140 lbs (64 kg)
8" (200 mm)					11 3/32" (320 mm)	12 3/8" (314 mm)	29 1/8" (739 mm)	230 lbs (104 kg)
10" (250 mm)					12 19/32" (320 mm)	13 15/16" (353 mm)	33 5/8" (853 mm)	325 lbs (147 kg)
12" (300 mm)					14 19/32" (371 mm)	16" (406 mm)	39 1/8" (993 mm)	500 lbs (227 kg)
14" (350 mm)					16 3/32" (409 mm)	17 5/8" (447 mm)	43 1/8" (1095 mm)	710 lbs (322 kg)
16" (400 mm)					17 3/32" (434 mm)	18 11/16" (474 mm)	46 1/8" (1171 mm)	860 lbs (390 kg)
18" (450 mm)					19 3/32" (485 mm)	20 3/4" (528 mm)	51 5/8" (1310 mm)	1025 lbs (465 kg)
20" (500 mm)					20 25/32" (528 mm)	22 5/8" (574 mm)	59 13/16" (1519 mm)	1350 lbs (612 kg)
24" (600 mm)					23 3/32" (587 mm)	25 1/8" (638 mm)	63 1/8" (1603 mm)	2100 lbs (953 kg)

FOR OPEN AREA RATIO INFORMATION, CONSULT THE FACTORY

*OAR = Open Area Ratio

**Dimension shown for 150# Flanges, Increased for 300# Flanges

NOTE: DIMENSIONAL INFORMATION SHOWN ARE FOR REFERENCE USE ONLY NOT FOR CONSTRUCTION. ALL DIMENSIONS ARE SUBJECT TO CHANGE.



Hellan Strainer Company, Inc.
a Subsidiary of Industrial Manufacturing Company
Cleveland, Ohio 44104 U.S.A.

TITLE
Fabricated Tee Strainers
Branch to Main Flow - Bolted Cover - 150# R.F.

DRAWN JLH	DWG. NO. 3WBB-1-S	ISSUE 1
DATE 05/30/2014		